



J2A L/R

BRONZE CAST 90° STRAINERS

Basket Type - Quick Release Cover

An AS 2129 E flanged cast bronze strainer, 90° Angle Pattern, basket type strainer with quick release cover and replaceable stainless steel basket.
50 - 100 mm basket has 1.6 dia holes x 2.54 centres.
125 mm upwards has 3.52 dia holes x 4.52 centres.

PRESSURE/TEMPERATURE RATING

Water, Oil or Gas up to 550KPA (80PSI)

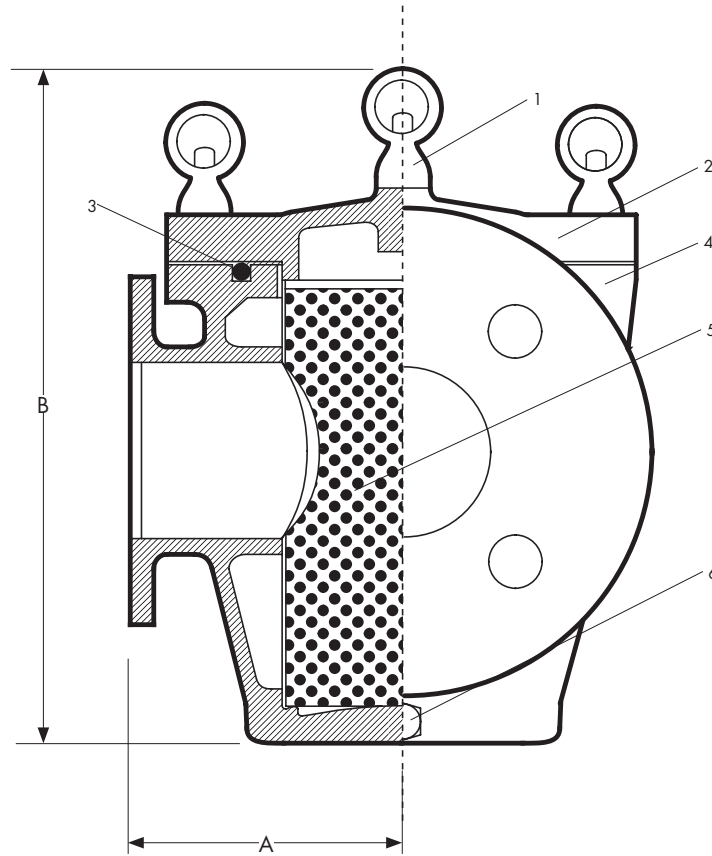
OPTIONS

Other basket materials available upon request.

Modifications available upon request.

J2AL - Left Hand Outlet

J2AR - Right Hand Outlet



DIMENSIONS - mm		MATERIAL SPECIFICATIONS			
Size	50	No.	Component	Material	AS or BS Specification
A	114	1	Female Eye Bolt	316 S/S	-
B	235	2	Cover	Cast Bronze LG2	AS 1565-C83600
Mass	19	3	O - Ring	Rubber	-
		4	Body	Cast Bronze LG2	AS 1565-C83600
		5	Basket	S/S Mesh	-
		6	Plug	316 S/S	-