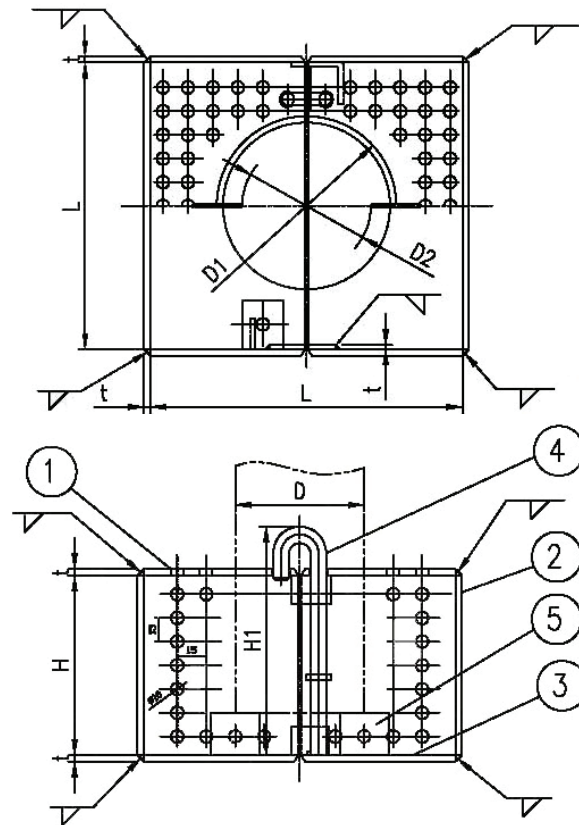


GALVANIZED STEEL ROSE BOX JIS F7206




Main material for fittings

Item	Fittings	Material	Mark
1	Strainer Plate	Galvanized Steel	SS400
2	Strainer Plate	Galvanized Steel	SS400
3	Bottom Plate	Galvanized Steel	SS400
4	Locking Bar	Galvanized Steel	SS400
5	Support Piece	Galvanized Steel	SS400

Main data for flange connection mm

DN	D	D1	D2	H	H1	H2	t	L
DN40	48.6	52	25	65	90	28	3.2	95
DN50	60.5	65	25	80	105	35	3.2	110
DN65	76.3	82	45	95	120	35	3.2	140
DN80	89.1	94	50	110	135	35	3.2	170
DN100	114.3	120	80	140	165	40	3.2	200
DN125	139.8	145	105	170	200	40	3.2	260
DN150	165.2	170	125	200	230	40	3.2	320
DN200	216.3	222	180	260	300	55	4.5	380
DN250	267.4	272	225	320	360	55	4.5	440
DN300	318.5	325	280	350	400	65	4.5	500

Design	Check	Signature	Logo	Supplier
asbsey	Chrit	Figor		PROMET VALVES AUSTRALIA
Apr.14,2013	Apr.14,2013	Apr.14,2013		