

F62G

BRONZE STORM VALVE

Horizontal Pattern - Geared Type

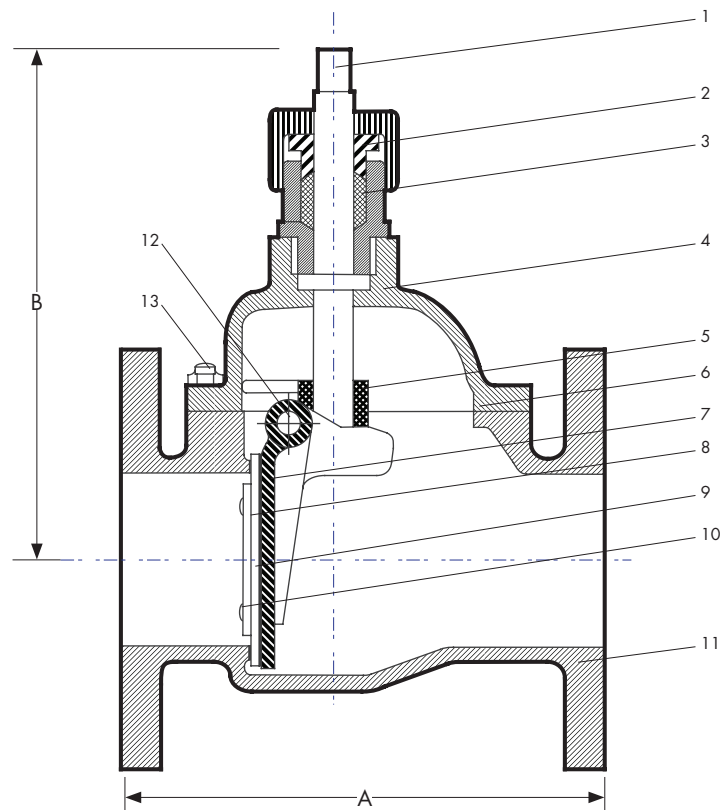
An AS 2129 E flanged cast bronze horizontal pattern back balanced flap with geared storm valve and bolted cover.

PRESSURE/TEMPERATURE RATING

Test Pressure 482KPA (70PSI)

OPTIONS

Also available in Non Geared.
Handwheel operated on request.
Modifications available upon request.



DIMENSIONS - mm						MATERIAL SPECIFICATIONS			
Size	40	50	65	80	100	REF	Component	Material	AS or BS Specification
A	198	198	227	227	265	1	Spindle	DR. Brass	AS 1567-352
B	200	200	220	220	250	2	Gland	DR. Brass	AS 1567-352
Mass kg	8.8	9.8	14.8	15.6	23	3	Packing	PTFE	Klinger K10
						4	Cover	Cast Bronze LG2	AS 1565-C83600
						5	Locking Block	Cast Bronze LG2	AS 1565-C83600
						6	Cover Gasket	Insertion Rubber	-
						7	Flap	Cast Bronze LG2	AS 1565-C83600
						8	Flap Disc	Cast Bronze LG2	AS 1565-C83600
						9	Flap Rubber	EPDM	-
						10	Flap Screws	Stainless Steel	316 S/S
						11	Body	Cast Bronze LG2	AS 1565-C83600
						12	Hinge Pin	Stainless Steel	316 S/S
						13	Fasteners	Stainless Steel	316 S/S

Dimensions for larger sizes are available on request.