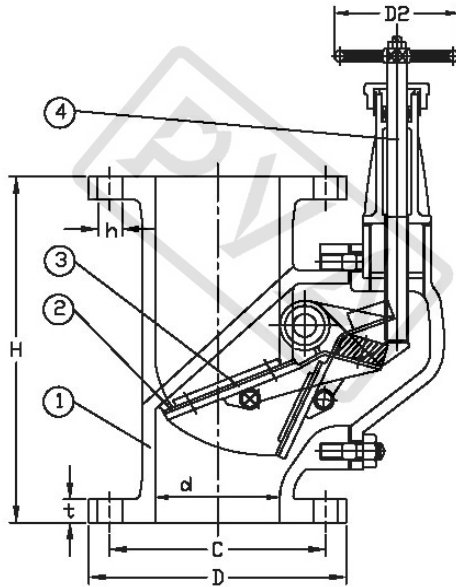


# JISF3060 5K Cast Steel Vertical Type Storm Valve



Pressure Test		
PN	Shell Test	Seat Test
0.5MPa	1.04MPa	0.76MPa

Main material for fittings			
Item	Fittings	Material	Mark
1	Body/Bonnet	Cast Steel	SC230~450
2	Disc	Cast Bronze	BC6
3	Seat	Cast Bronze+NBR	BC6+NBR
4	Stem	Stainless Steel/Forged Brass	SSS400/ C3771BD
5	Handwheel	Cast Iron	FC200

Main data for connection						mm
DN	Face To Face	Flange				Weight
	H	Diam(D)	PCD(C)	Hole Nos(n)	Hole Diam( $\phi$ h)	Kgs
50	210	130	105	4	15	11.5
65	240	155	130	4	15	16.5
80	260	180	145	4	19	21.6
100	280	200	165	8	19	29.6
125	330	235	200	8	19	43.6
150	360	265	230	8	19	51.6
200	450	320	280	8	23	80.1

Design	Check	Signature	Logo	Supplier
asbsey	Chrit	Figor		PROMET VALVES AUSTRALIA
JAN.01,2013	JAN.01,2013	JAN.01,2013		

**PROMET VALVES AUSTRALIA**

1A Green Road Woodville West SA 5011 Australia / Tel:+61 8 8268 1777 / Fax:+61 8 8268 1711  
 promet@prometvalves.com / www.prometvalves.com / ABN 47 096 425 697