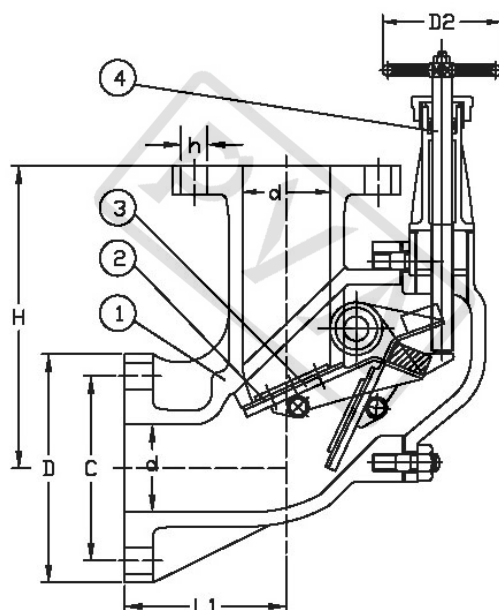



JISF3059 5K Cast Steel Angle Type Storm Valve



Pressure Test		
PN	Shell Test	Seat Test
0.5MPa	1.04MPa	0.76MPa

Main material for fittings			
Item	Fittings	Material	Mark
1	Body/Bonnet	Cast Steel	SC230~450
2	Disc	Cast Bronze	BC6
3	Seat	Cast Bronze+NBR	BC6+NBR
4	Stem	Stainless Steel/Forged Brass	SSS400/ C3771BD
5	Handwheel	Cast Iron	FC200

Main data for connection							mm
DN	Face To Face		Flange				Weight Kgs
	H	L1	Diam(D)	PCD(C)	Hole Nos(n)	Hole Diam(\varnothing h)	
50	170	90	130	105	4	15	13.9
65	200	110	155	130	4	15	20.1
80	220	120	180	145	4	19	24.1
100	250	130	200	165	8	19	35.2
125	270	150	235	200	8	19	52.7
150	310	165	265	230	8	19	63.2
200	400	190	320	280	8	23	83.7

Design	Check	Signature	Logo	Supplier
asbsey	Chrit	Figor		PROMET VALVES AUSTRALIA
JAN.01,2013	JAN.01,2013	JAN.01,2013		

PROMET VALVES AUSTRALIA

1A Green Road Woodville West SA 5011 Australia / Tel:+61 8 8268 1777 / Fax:+61 8 8268 1711
 promet@prometvalves.com / www.prometvalves.com / ABN 47 096 425 697