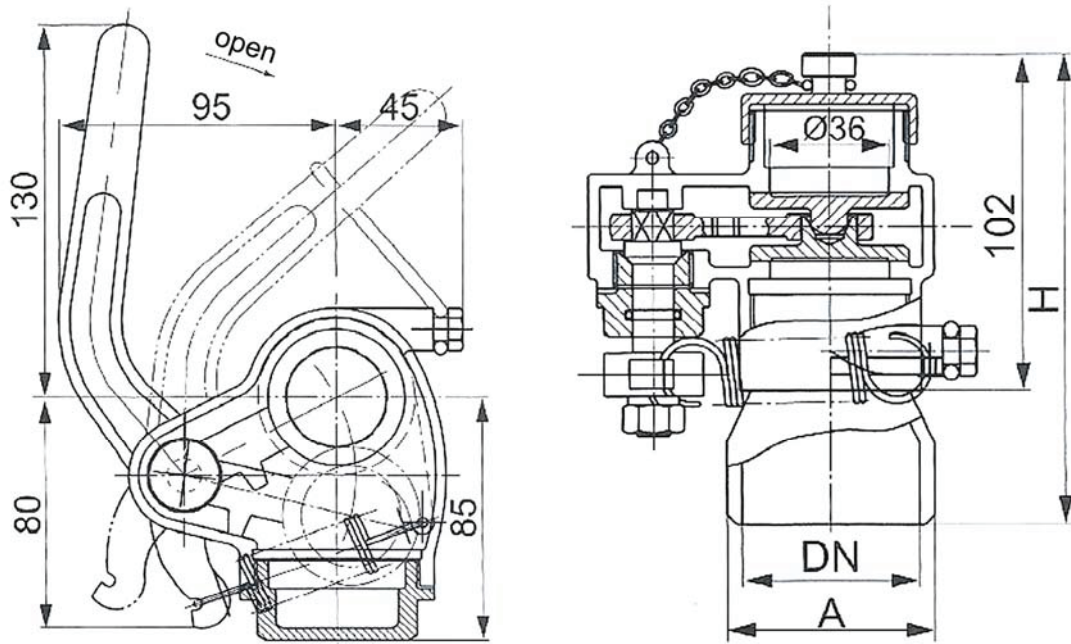



F3019 CAST BRONZE SELF CLOSING GATE VALVE



Pressure Test		MPa	
Nominal Pressure/PN	0.5MPa	Shell Test	0.3 MPa
		Seat Test	0.2 MPa

Main material for fittings			
Item	Fittings	Material	Mark
1	Body	Cast Bronze	BC6
2	Cap	Cast Bronze	BC6
3	Disc/Seat	Cast Bronze	BC6
4	Lever	Steel	SS400

Main data for flange connection			mm
DN	A	H	
DN40	48	150	
DN50	60	170	
DN65	76	175	
DN80	89	175	

Design	Check	Signature	Logo	Supplier
asbsey	Chrit	Figor		PROMET VALVES AUSTRALIA
JAN.01,2013	JAN.01,2013	JAN.01,2013		