



Z680A

BRONZE RELIEF VALVES

Adjustable Screw Type - Replaceable Bronze Trim

An AS 2129 E flanged cast bronze angle relief valve with bolted cover, external adjustable spring and replaceable bronze seat and disc.

PRESSURE/TEMPERATURE RATING

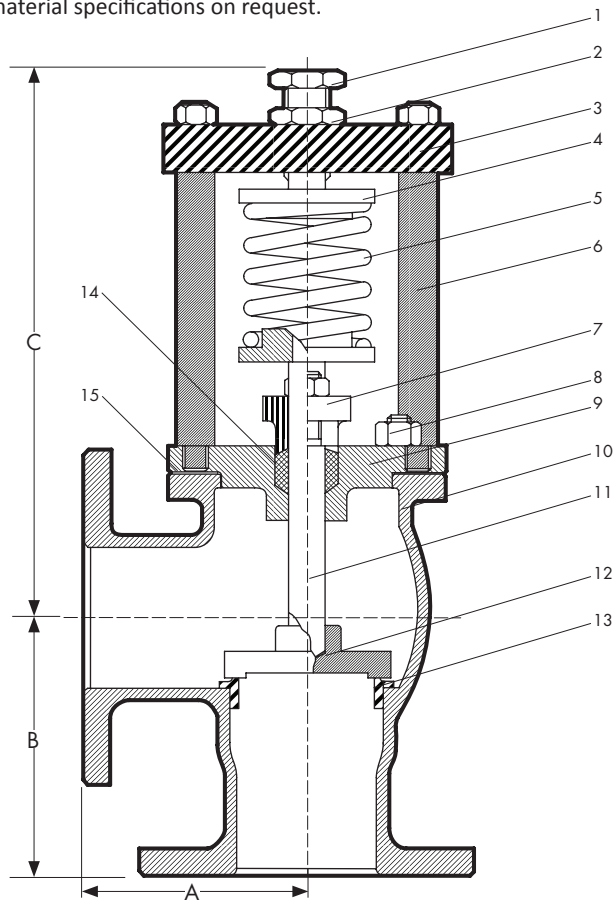
Steam up to 700KPA (100PSI)

Max Service Temp 170°C (338°F)

Water, Oil or Gas up to 1400KPA (200PSI)

OPTIONS

Valves manufactured in other flange and body material specifications on request.



DIMENSIONS - mm								MATERIAL SPECIFICATIONS			
Size	40	50	65	80	100	125	150	REF	Component	Material	AS or BS Specification
A	94	108	127	140	165	190	216	1	Adjusting Bolt	DR: Brass	AS 1567-352
B	94	108	118	140	152	176	203	2	Lock Nut	DR: Brass	AS 1567-352
C	345	350	355	510	540	610	680	3	Bridge	Cast Bronze LG2	AS 1565-C83600
Mass kg	14.3	18	21	28	41	61	109	4	Spring Seal	Cast Bronze LG2	AS 1565-C83600
								5	Spring	Spring Steel	-
								6	Pillars	Stainless Steel	316 SS
								7	Gland	Cast Bronze LG2	AS 1565-C83600
								8	Fasteners	Stainless Steel	-
								9	Cover	Cast Bronze LG2	AS 1565-C83600
								10	Body	Cast Bronze LG2	AS 1565-C83600
								11	Spindle	DR: Brass	AS 1567-352
								12	Disc	Cast Bronze LG2	AS 1565-C83600
								13	Seat	Cast Bronze LG2	AS 1565-C83600
								14	Packing	PTFE	Klinger K10
								15	Gasket	Klinger	K'Sil 4430

Dimensions for larger sizes are available on request.