

Z680

BRONZE RELIEF VALVE

Adjustable Spring Type - Replaceable Bronze Trim

An AS 2129 E flanged cast bronze relief valve with bolted cover, adjustable spring and replaceable bronze seat & disc.

PRESSURE/TEMPERATURE RATING

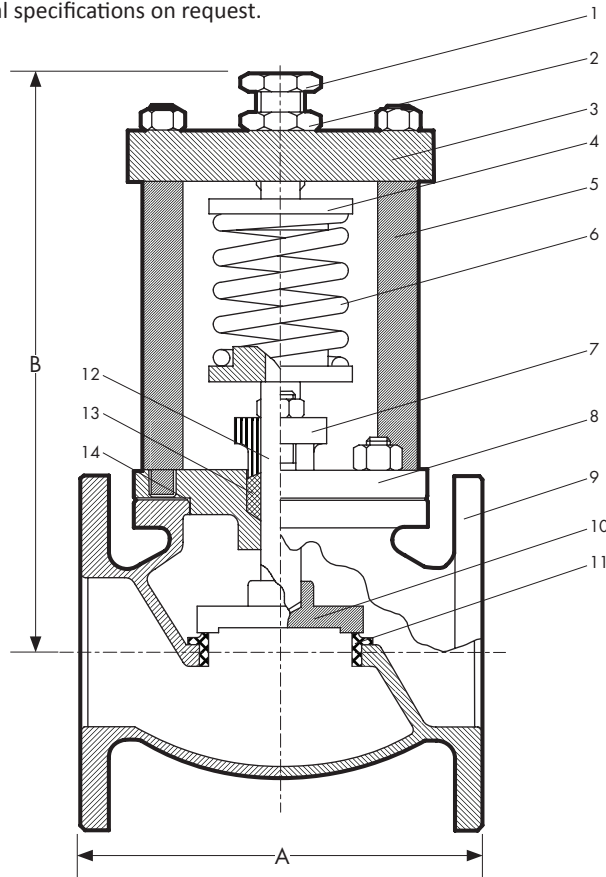
Steam up to 700KPA (100PSI)

Max Service Temp 170°C (338°F)

Water, Oil or Gas up to 1400KPA (200PSI)

OPTIONS

Valves manufactured in other flange and material specifications on request.



DIMENSIONS - mm								MATERIAL SPECIFICATIONS			
Size	40	50	65	80	100	125	150	REF	Component	Material	AS or BS Specification
A	187	216	235	267	330	381	432	1	Adjusting Bolt	Cast Bronze LG2	AS 1565-C83600
B	360	380	390	550	585	665	745	2	Lock Nut	DR. Brass	AS 1567-352
Mass kg	16	18.5	23.5	27	48.5	77	118	3	Bridge	Cast Bronze LG2	AS 1565-C83600
<i>Dimensions for larger sizes are available on request.</i>								4	Spring Seat	Cast Bronze LG2	AS 1565-C83600
								5	Pillars	Stainless Steel	316 SS
								6	Spring	Spring Steel	-
								7	Gland	Cast Bronze LG2	AS 1565-C83600
								8	Cover	Cast Bronze LG2	AS 1565-C83600
								9	Body	Cast Bronze LG2	AS 1565-C83600
								10	Disc	Cast Bronze LG2	AS 1565-C83600
								11	Seat	Cast Bronze LG2	AS 1565-C83600
								12	Spindle	DR. Brass	AS 1567-352
								13	Packing	PTFE	Klinger K10
								14	Gasket	Klinger	K'Sil 4430
								15	Fasteners	Stainless Steel	-