

Z64Q

BRONZE QUICK CLOSING GLOBE VALVE

Outside Screw - Q. C. Rising Stem - Bronze Trim

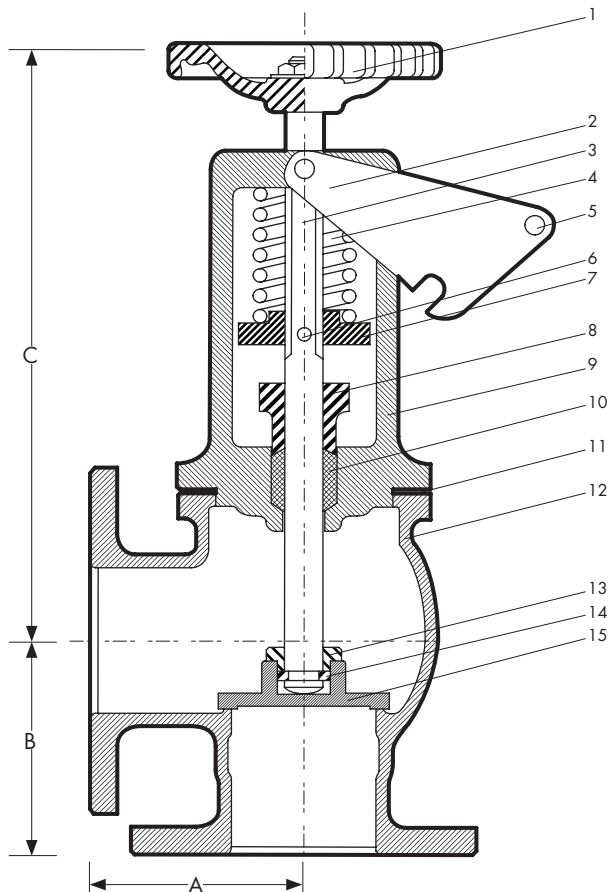
An AS 2129 E flanged, cast bronze, remote closing valve with outside screw, external spring operation and bronze disc & integral seat.

PRESSURE/TEMPERATURE RATING

Steam up to 700KPA (100PSI)
 Max Service Temp 170°C (338°F)
 Water, Oil or Gas up to 1400KPA (200PSI)

OPTIONS

Trip Operated, Wire.
 Modifications available upon request.



DIMENSIONS - mm

Size	25	32	40	50	65
A	79	83	83	104	120
B	73	83	90	104	115
C	240	256	265	290	312
Mass kg	7.2	7.7	9.1	12.2	16.5

Dimensions for larger sizes are available on request.

MATERIAL SPECIFICATIONS

REF	Component	Material	AS or BS Specification
1	Handwheel	Cast Iron	AS 1830
2	Toggle	Steel	-
3	Spindle	DR. Brass	AS 1567-352
4	Spring	Spring Steel	-
5	Toggle Link	Steel	-
6	Raising Block Pin	Stainless Steel	316 S/S
7	Raising Block	Cast Bronze LG2	AS 1565-C83600
8	Gland	Cast Bronze LG2	AS 1565-C83600
9	Cover	Cast Bronze LG2	AS 1565-C83600
10	Packing	PTFE	Klinger K10
11	Gasket	Klinger	K'Sil 4430
12	Body	Cast Bronze LG2	AS 1565-C83600
13	Disc Nut	Cast Bronze LG2	AS 1565-C83600
14	Collet	DR. Brass	AS 1567-352
15	Disc	Cast Bronze LG2	AS 1565-C83600
16	Fasteners (not shown)	Stainless Steel	316 S/S