

Z204Q L/R

CAST BRONZE 90° QUICK CLOSING GLOBE VALVE

Outside Screw - Q.C. Rising Stem - Replaceable Bronze Trim

An AS 2129 E flanged, Cast Bronze Remote Closing Globe Valve, Screw Down Screw Lift, 90° Angle Pattern Outside Screw, Bolted Cover, Cast Integral Bridge, Rising Stem, Replaceable Bronze Seat & Disc.

PRESSURE/TEMPERATURE RATING

Steam up to 700KPA (100PSI)

Max Service Temp 170°C (338°F)

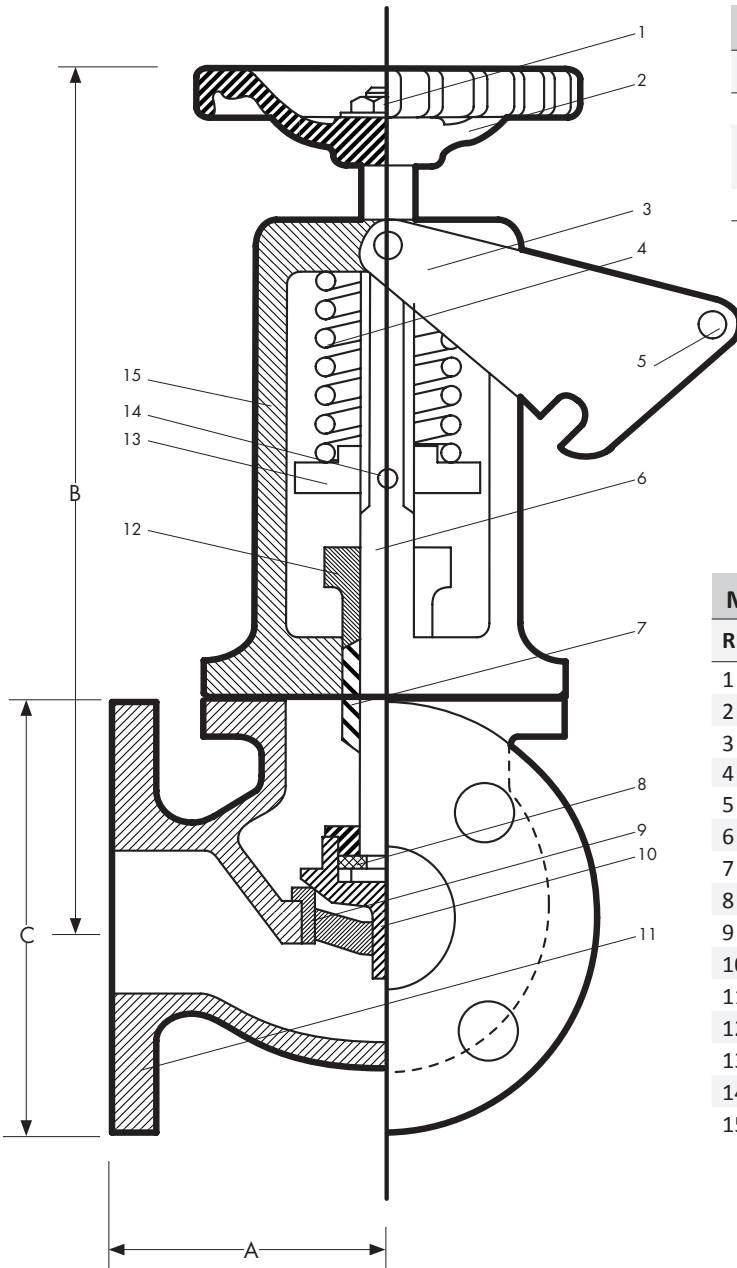
Water, Oil or Gas up to 1400KPA (200PSI)

OPTIONS

Trip Operated, Wire.

Valves manufactured in other flange and material specifications on request.

Also available as a Stop-Check Valve Screw Down Non Return (SDNR).



DIMENSIONS - mm

Size	40	50	65
A	94	108	118
B	265	290	312
C	135	150	165

Dimensions for larger sizes are available on request.

MATERIAL SPECIFICATIONS

REF	Component	Material	AS or BS Specification
1	Handwheel Nut	Stainless Steel	316 S/S
2	Handwheel	Cast Iron	AS 1830
3	Toggle	Steel	-
4	Spring	Spring Steel	-
5	Toggle Link	Steel	-
6	Spindle	DR. Brass	AS 1567-352
7	Gland Packing	PTFE	Klinger K10
8	Collet	DR. Brass	AS 1567-352
9	Seat	Cast Bronze LG2	AS 1565-C83600
10	Disc	Cast Bronze LG2	AS 1565-C83600
11	Body	Cast Bronze LG2	AS 1565-C83600
12	Gland	Cast Bronze LG2	AS 1565-C83600
13	Raising Block	Cast Bronze LG2	AS 1565-C83600
14	Raising Block Pin	Stainless Steel	316 S/S
15	Cover	Cast Bronze LG2	AS 1565-C83600