

## Flanschen-Ausgußventil DIN-Baulänge, GG 25/Niro

mit Säulenaufsatz und Federbelastung

Öffnungsdruck einstellbar DN 15-DN 300 von 0,1-0,5 bar, DN 350-DN 500 von 0,1-0,2 bar

**Outboard valve, flanged, DIN-length, cast iron/stainless steel**

spring loaded, blow-off pressure: adjustable DN 15-DN 300 0,1-0,5 bar, DN 350-DN 500 0,1-0,2 bar

Nenndruck / Nominal pressure

DN 15 – DN 125 **PN16** DN 150 – DN 200 **PN10** DN 250 – DN 300 **PN 6** DN 350 – DN 500 **PN 4**

**Art.Nr. 22.01.01** Form A Durchgangsform / *straight type*

**Art.Nr. 22.01.02** Form B Eckform / *angle type*

### Verwendungsbereich:

Geeignet für kaltes und heißes Wasser, Satt-  
dampf, Öl und andere neutrale, nicht aggress-  
sive Medien.

Verwendbar für Temperaturen bis 100°C

### Zulässige Betriebstemperaturen und -drücke:

| max. Druck   | bis 100°C |
|--------------|-----------|
| DN 15 – 125  | 16 bar    |
| DN 150 – 200 | 10 bar    |
| DN 250 – 300 | 6 bar     |
| DN 350 – 500 | 4 bar     |

Die Ventile sind gemäß den neuesten Vor-  
schriften des "Germanischen Lloyd" so kon-  
struiert, daß es nicht möglich ist, mittels der  
Spindel das Ventil zu öffnen.

### Sonderausführungen:

◇ Spindel aus CuSn 6

### Application:

Suitable for cold and hot water, saturated  
steam, oil and other neutral non aggressive  
liquids.

Application for temperatures up to 100°C

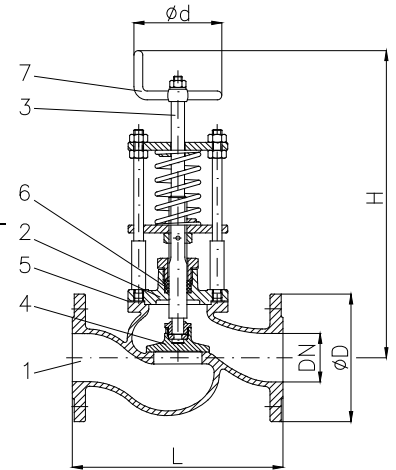
### Admissible temperatures and pressures:

| max. pressure | up to 100°C |
|---------------|-------------|
| DN 15 – 125   | 16 bar      |
| DN 150 – 200  | 10 bar      |
| DN 250 – 300  | 6 bar       |
| DN 350 – 500  | 4 bar       |

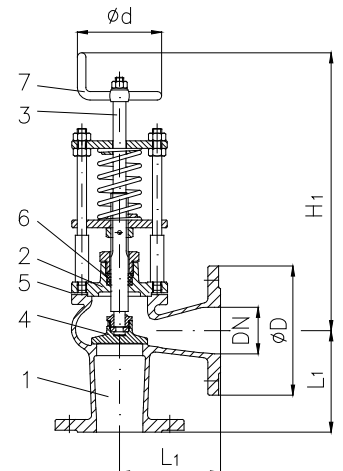
The valves are designed according to the  
latest rules of the „German Lloyd“. It isn't  
possible to open the valve with the stem.

### Special design:

◇ Stem material CuSn 6



**Art.Nr. 22.01.01**



**Art.Nr. 22.01.02**

| Teil<br>Part | Bezeichnung<br>Name             | Werkstoff nach DIN<br>Material acc. to DIN | Werkstoff nach BS<br>Material acc. to BS |
|--------------|---------------------------------|--|--|
| 1            | Gehäuse / body                  | EN-GJL-250                                 | B.S.1452:1990 Gr.150/180                 |
| 2            | Deckel / bonnet                 | EN-GJL-250                                 | B.S.1452:1990 Gr.150/180                 |
| 3            | Spindel / stem                  | X20Cr 13                                   | B.S.970:1955 EN 56 C                     |
| 4            | Kegel / disc                    | X20Cr 13                                   | B.S.970:1955 EN 56 C                     |
| 5            | Deckeldichtung / bonnet sealing | FA1 / asbestfrei                           | ---                                      |
| 6            | Dichtring / sealing ring        | NBR  | ---                                      |
| 7            | Handkurbel / crank handle       | GTW  | ---                                      |

| Flansch / flange |     |                |      |     |      |      |     |     |  | 22.01.01 | 22.01.02 |
|------------------|-----|----------------|------|-----|------|------|-----|-----|--|----------|----------|
| DN               | Ø D | Ø k x n x Ø d1 | L    | L1  | H    | H1   | Ø d | Hub |  | ≈ kg     | ≈ kg     |
| 15               | 95  | 65 x 4 x 14    | 130  | 90  | 290  | 300  | 100 | 6   |  | 6,0      | 4,8      |
| 20               | 105 | 75 x 4 x 14    | 150  | 95  | 290  | 300  | 100 | 7   |  | 6,5      | 5,0      |
| 25               | 115 | 85 x 4 x 14    | 160  | 100 | 330  | 340  | 100 | 8   |  | 7,0      | 6,0      |
| 32               | 140 | 100 x 4 x 18   | 180  | 105 | 340  | 360  | 100 | 10  |  | 9,0      | 8,0      |
| 40               | 150 | 110 x 4 x 18   | 200  | 115 | 360  | 380  | 125 | 12  |  | 11,0     | 10,0     |
| 50               | 165 | 125 x 4 x 18   | 230  | 125 | 390  | 390  | 125 | 15  |  | 13,5     | 12,5     |
| 65               | 185 | 145 x 4 x 18   | 290  | 145 | 410  | 400  | 150 | 19  |  | 19,0     | 18,0     |
| 80               | 200 | 160 x 8 x 18   | 310  | 155 | 450  | 420  | 150 | 24  |  | 25,0     | 22,0     |
| 100              | 220 | 180 x 8 x 18   | 350  | 175 | 490  | 470  | 200 | 28  |  | 32,0     | 27,0     |
| 125              | 250 | 210 x 8 x 18   | 400  | 200 | 540  | 490  | 200 | 36  |  | 53,0     | 43,0     |
| 150              | 285 | 240 x 8 x 22   | 480  | 225 | 590  | 540  | 200 | 40  |  | 66,0     | 58,0     |
| 175              | 315 | 270 x 8 x 22   | 550  | 250 | 680  | 580  | 200 | 48  |  | 89,0     | 79,0     |
| 200              | 340 | 295 x 8 x 22   | 600  | 275 | 700  | 600  | 225 | 56  |  | 115,0    | 100,0    |
| 250              | 395 | 350 x 12 x 22  | 730  | 325 | 820  | 710  | 250 | 65  |  | 170,0    | 160,0    |
| 300              | 445 | 400 x 12 x 22  | 850  | 375 | 940  | 780  | 250 | 80  |  | 305,0    | 235,0    |
| 350              | 505 | 460 x 16 x 22  | 980  | 425 | 1100 | 1030 | 350 | 90  |  | 490,0    | 380,0    |
| 400              | 565 | 515 x 16 x 26  | 1100 | 475 | 1300 | 1140 | 350 | 105 |  | 530,0    | 420,0    |
| 450              | 615 | 565 x 20 x 26  | 1200 | 500 | 1500 | 1450 | 350 | 115 |  | 1170,0   | 670,0    |
| 500              | 670 | 620 x 20 x 26  | 1250 | 590 | 1650 | 1500 | 350 | 130 |  | 1320,0   | 820,0    |