



## Z80

### BRONZE RIGHT ANGLED LANDING VALVE

Flanged - Inside Screw - Rising Stem - Bronze Disc

65mm Bronze Right Angled Landing Valve; Inlet Flange AS 2129 Table 'E' with 1 1/2" BSP Outlet. Screwed Cover with Inside Screw Rising Stem. Screw Down Screw Lift Disc and Integral Seat.

#### PRESSURE/TEMPERATURE RATING

Stream up to 700KPA (100PSI)

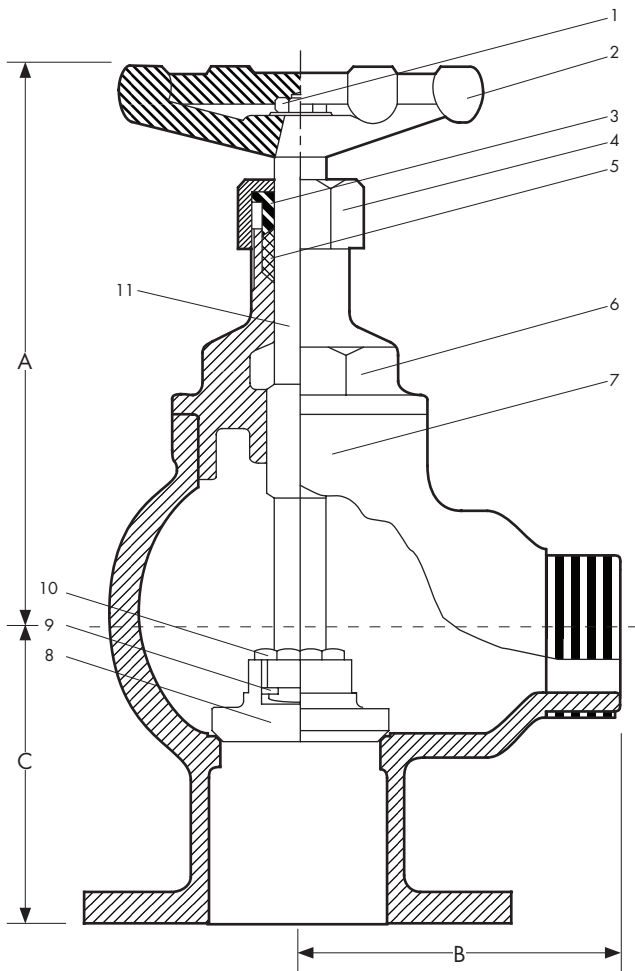
Max Service Temp 170°C (338°F)

Water, Oil or Gas up to 1400KPA (200PSI)

#### OPTIONS

-

#### NOTES



#### DIMENSIONS - mm

Size	65
A	240
B	110
C	117

#### MATERIAL SPECIFICATIONS

REF	Component	Material	AS or BS Specification
1	Handwheel Nut	Stainless Steel	316
2	Handwheel	Cast Iron	-
3	Gland Follower	DR. Brass	AL 352
4	Gland Nut	DR. Brass	AL 352
5	Packing	PTFE	Klinger K10
6	Cover	Cast Bronze	AS 1565-C83600
7	Body	Cast Bronze	AS 1565-C83600
8	Disc	Cast Brone	AS 1565-C83600
9	Collet	DR: Brass	AL 352
10	Disc Nut	DR: Brass	AL 352
11	Spindle	DR: Brass	AL 352
12	Washer	Stainless Steel	304