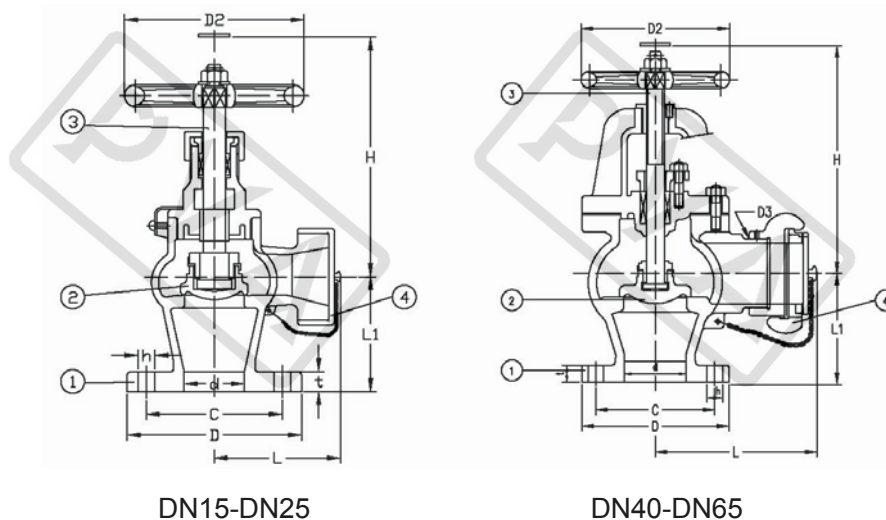


# JISF7334B 5K/10K CAST BRONZE HOSE ANGLE VALVE C/W NAKAJIMA COUPLING



Pressure Test MPa			
Nominal Pressure/PN	0.5/1.0MPa	Shell Test	1.05/2.10MPa
		Seat Test	0.75/1.54MPa

Main material for fittings			
Item	Fittings	Material	Mark
1	Body	Cast Bronze	BC6
2	Bonnet	Cast Bronze	BC6
3	Disc/ Seat	Cast Bronze	BC6
4	Stem	Forged Brass	C3771BD
5	Handwheel	Cast iron	FC200

Main data for flange connection								mm
Model	Face To Face		F/Diam.	F/PCD	F/Hole	Height	Thread	Weight
	L1	L	D	C	n* $\varnothing$ d	H	D3	kgs
F7334B 5K15	55	68.0	80	60	4 $\times$ $\varnothing$ 12	120	M42*2	2.41
F7334B 5K25	65	78.0	95	75	4 $\times$ $\varnothing$ 12	145	M42*2	3.44
F7334B 5K40	80	123.5	120	95	4 $\times$ $\varnothing$ 15	165	M52*2	5.91
F7334B 5K50	100	154.8	130	105	4 $\times$ $\varnothing$ 15	225	M64*2	11.00
F7334B 5K65	130	179.8	155	130	4 $\times$ $\varnothing$ 15	255	M80*2	16.70
F7334B 10K15	70	73.0	95	70	4 $\times$ $\varnothing$ 15	120	M42*2	2.72
F7334B 10K25	85	83.0	125	90	4 $\times$ $\varnothing$ 19	145	M42*2	4.04
F7334B 10K40	90	123.5	140	105	4 $\times$ $\varnothing$ 19	165	M52*2	8.19
F7334B 10K50	120	159.8	155	120	4 $\times$ $\varnothing$ 19	240	M64*2	14.30
F7334B 10K65	130	179.8	175	140	4 $\times$ $\varnothing$ 19	255	M80*2	23.00

Design	Check	Signature	Logo	Supplier
asbsey	Chrit	Figor		<b>PROMET VALVES AUSTRALIA</b>
JAN.01,2013	JAN.01,2013	JAN.01,2013		

**PROMET VALVES AUSTRALIA**

1A Green Road Woodville West SA 5011 Australia / Tel:+61 8 8268 1777 / Fax:+61 8 8268 1711  
 promet@prometvalves.com / www.prometvalves.com / ABN 47 096 425 697