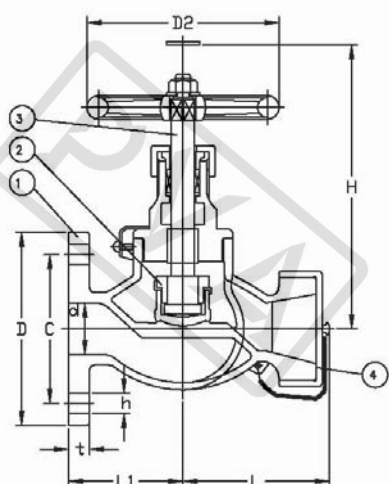
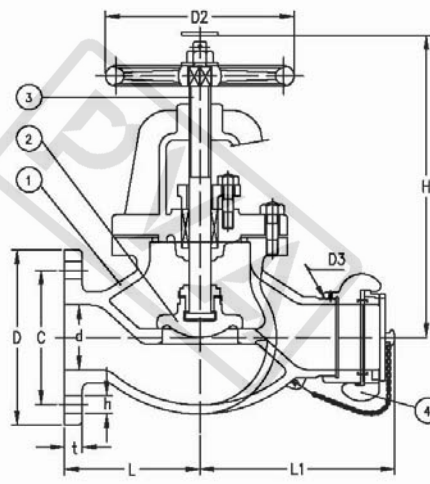


# JISF7334A 5K/10K CAST BRONZE HOSE GLOBE VALVE C/W NAKAJIMA COUPLING



DN15-DN25



DN40-DN65

Pressure Test MPa			
Nominal Pressure/PN	0.5/1.0MPa	Shell Test	1.05/2.10MPa
		Seat Test	0.75/1.54MPa

Main material for fittings			
Item	Fittings	Material	Mark
1	Body	Cast Bronze	BC6
2	Bonnet	Cast Bronze	BC6
3	Disc/ Seat	Cast Bronze	BC6
4	Stem	Forged Brass	C3771BD
5	Handwheel	Cast iron	FC200

Main data for flange connection								mm
Model	Face To Face		F/Diam.	F/PCD	F/Hole	Height	Thread	Weight
	L1	L	D	C	n* $\varnothing$ d	H	D3	kgs
F7334A 5K15	50	73.0	80	60	4 $\times$ $\varnothing$ 12	130	M42*2	2.51
F7334A 5K25	60	78.0	95	75	4 $\times$ $\varnothing$ 12	160	M42*2	3.55
F7334A 5K40	80	128.5	120	95	4 $\times$ $\varnothing$ 15	190	M52*2	6.26
F7334A 5K50	105	159.8	130	105	4 $\times$ $\varnothing$ 15	255	M64*2	12.90
F7334A 5K65	130	199.8	155	130	4 $\times$ $\varnothing$ 15	295	M80*2	21.20
F7334A 10K15	55	73.0	95	70	4 $\times$ $\varnothing$ 15	130	M42*2	2.76
F7334A 10K25	65	83.0	125	90	4 $\times$ $\varnothing$ 19	160	M42*2	4.15
F7334A 10K40	90	133.5	140	105	4 $\times$ $\varnothing$ 19	190	M52*2	8.43
F7334A 10K50	110	164.8	155	120	4 $\times$ $\varnothing$ 19	270	M64*2	15.40
F7334A 10K65	135	199.8	175	140	4 $\times$ $\varnothing$ 19	295	M80*2	27.80

Design	Check	Signature	Logo	Supplier
asbsey	Chrit	Figor		<b>PROMET VALVES AUSTRALIA</b>
JAN.01,2013	JAN.01,2013	JAN.01,2013		

**PROMET VALVES AUSTRALIA**

1A Green Road Woodville West SA 5011 Australia / Tel:+61 8 8268 1777 / Fax:+61 8 8268 1711  
 promet@prometvalves.com / www.prometvalves.com / ABN 47 096 425 697