

## Z64

### BRONZE ANGLE GLOBE VALVE

Outside Screw - Rising Stem - Bronze Trim

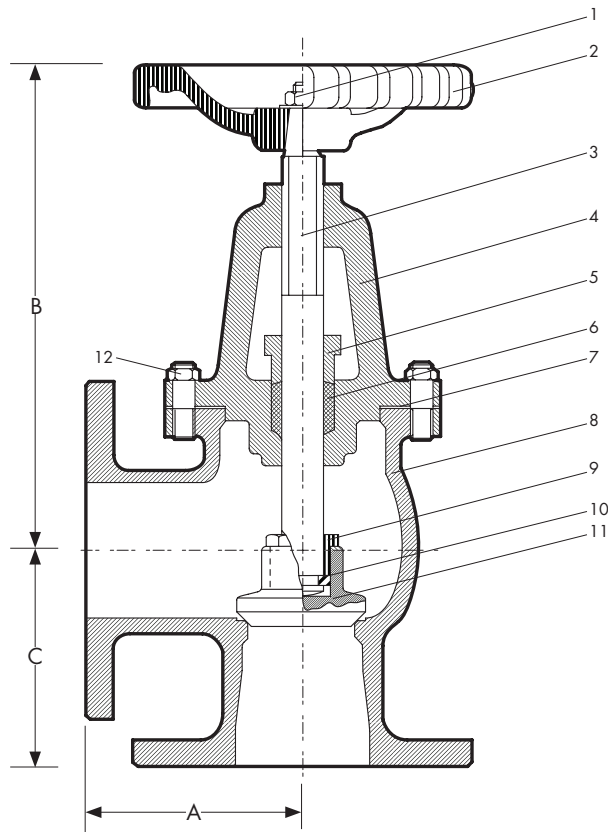
An AS 2129 E flanged, rising stem cast bronze valve with outside screw, bolted cover, screw down screw lift, bronze trim and integral seat. Also available as a Stop-Check Screw Down Non Return (SDNR).

#### PRESSURE/TEMPERATURE RATING

Steam up to 700KPA (100PSI)  
 Max Service Temp 170°C (338°F)  
 Water, Oil or Gas up to 1400KPA (200PSI)

#### OPTIONS

Open and Shut Indicator.  
 Valves manufactured in other flange and body material specifications on request. Also available as a Stop-Check Screw Down Non Return (SDNR).  
 Modifications available upon request.



DIMENSIONS - mm										MATERIAL SPECIFICATIONS				
Size	25	32	40	50	65	80	100	125	150	200	REF	Component	Material	AS or BS Specification
A	79	83	83	104	120	127	145	170	203	241	1	Handwheel Nut	Stainless Steel	316 S/S
B	188	202	205	232	241	260	289	340	489	498	2	Handwheel	Cast Iron	AS 1830
C	73	83	90	104	115	127	145	165	190	247	3	Spindle	DR: Brass	AS 1567-352
Mass kg	4.5	8	8.3	10	14.5	20	32	48	73.5	102	4	Cover	Cast Bronze LG2	AS 1565-C83600
											5	Gland	Cast Bronze LG2	AS 1565-C83600
											6	Packing	PTFE	Klinger K10
											7	Cover Gasket	Klinger	K'Sil 4430
											8	Body	Cast Bronze LG2	AS 1565-C83600
											9	Disc Nut	DR: Brass	AS 1567-352
											10	Collet	DR: Brass	AS 1567-352
											11	Disc	Cast Bronze LG2	AS 1565-C83600
											12	Fasteners	Stainless Steel	-

Dimensions for larger sizes are available on request.