



Z62NR

BRONZE GLOBE VALVE

Outside Screw - Rising Stem - Bronze Trim

An AS 2129 E flanged, rising stem cast bronze valve with outside screw, bolted cover & gland, screw down non return, bronze trim and integral seat.

PRESSURE/TEMPERATURE RATING

Steam up to 700KPA (100PSI)

Max Service Temp 170°C (338°F)

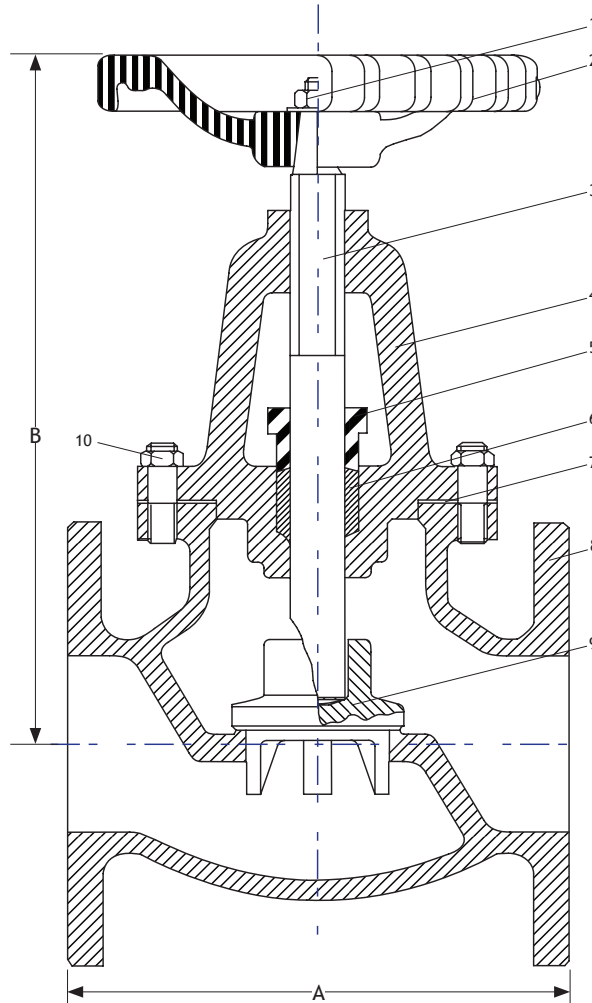
Water, Oil or Gas up to 1400KPA (200PSI)

OPTIONS

Open and Shut Indicator.

Valves manufactured in other flange and body material specifications on request.

Modifications available upon request.



| DIMENSIONS - mm | | | | | | | | | | | MATERIAL SPECIFICATIONS | | | | | |
|-----------------|-----|-----|-----|-----|-----|------|-----|------|------|-----|-------------------------|-------|-----|---------------|-----------------|------------------------|
| Size | 15 | 20 | 25 | 32 | 40 | 50 | 65 | 80 | 100 | 125 | 150 | 200 | REF | Component | Material | AS or BS Specification |
| A | 102 | 108 | 120 | 146 | 152 | 183 | 210 | 216 | 280 | 330 | 380 | 457 | 1 | Handwheel Nut | Stainless Steel | - |
| B | 176 | 179 | 208 | 224 | 226 | 245 | 269 | 306 | 365 | 415 | 523 | 598 | 2 | Handwheel | Cast Iron | AS 1830 |
| Mass kg | 4.5 | 4.8 | 5.5 | 7 | 9 | 13.1 | 16 | 22.2 | 38.4 | 64 | 80 | 135.6 | 3 | Spindle | DR: Brass | AS 1567-352 |
| | | | | | | | | | | | | | 4 | Cover | Cast Bronze LG2 | AS 1565-C83600 |
| | | | | | | | | | | | | | 5 | Gland | Cast Bronze LG2 | AS 1565-C83600 |
| | | | | | | | | | | | | | 6 | Packing | PTFE | Klinger K10 |
| | | | | | | | | | | | | | 7 | Cover Gasket | Klinger | K'Sil 4430 |
| | | | | | | | | | | | | | 8 | Body | Cast Bronze LG2 | AS 1565-C83600 |
| | | | | | | | | | | | | | 9 | Disc | Cast Bronze LG2 | AS 1565-C83600 |
| | | | | | | | | | | | | | 10 | Fasteners | Stainless Steel | - |

Dimensions for larger sizes are available on request.