



Z62

BRONZE GLOBE VALVE

Outside Screw - Rising Stem - Bronze Trim

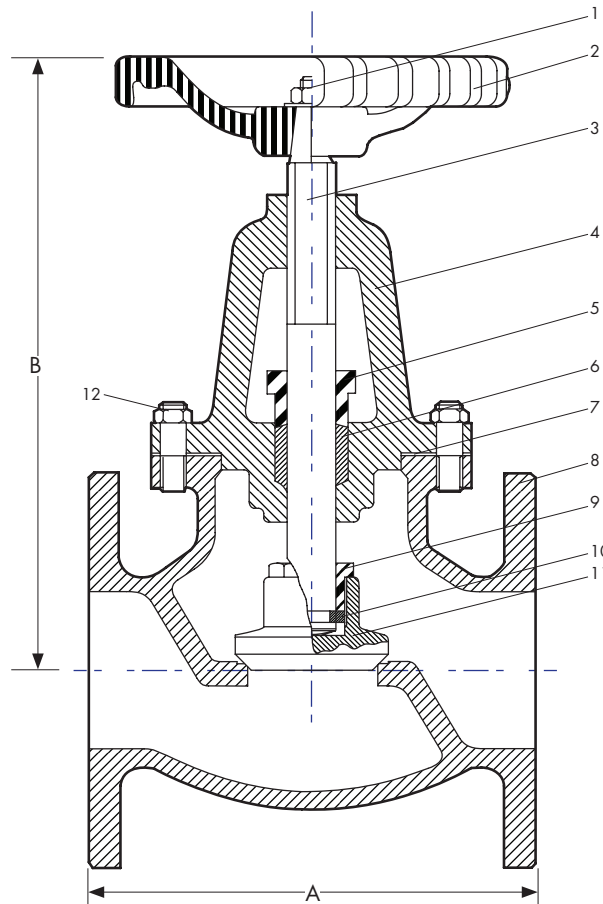
An AS 2129 E flanged, rising stem cast bronze valve with outside screw, bolted cover & gland, screw down screw lift, bronze trim and integral seat. Also available as a Stop-Check Valve Screw Down Non Return (SDNR).

PRESSURE/TEMPERATURE RATING

Steam up to 700KPA (100PSI)
 Max Service Temp 170°C (338°F)
 Water, Oil or Gas up to 1400KPA (200PSI)

OPTIONS

Open and Shut Indicator.
 Valves manufactured in other flange and body material specifications on request.
 Also available as a Stop Check Screw Down Non Down (SDNR).
 Modifications available upon request.



DIMENSIONS - mm												
Size	15	20	25	32	40	50	65	80	100	125	150	200
A	102	108	120	146	152	183	210	216	280	330	380	457
B	176	179	208	224	226	245	269	306	365	415	523	598
Mass kg	4.5	4.8	5.5	7	9	13.1	16	22.2	38.4	64	80	135.6

Dimensions for larger sizes are available on request.

MATERIAL SPECIFICATIONS			
REF	Component	Material	AS or BS Specification
1	Handwheel Nut	Stainless Steel	-
2	Handwheel	Cast Iron	AS 1830
3	Spindle	DR: Brass	AS 1567-352
4	Cover	Cast Bronze LG2	AS 1565-C83600
5	Gland	Cast Bronze LG2	AS 1565-C83600
6	Packing	PTFE	Klinger K10
7	Cover Gasket	Klinger	K'Sil 4430
8	Body	Cast Bronze LG2	AS 1565-C83600
9	Disc Nut	DR: Brass	AS 1567-352
10	Collet	DR: Brass	AS 1567-352
11	Disc	Cast Bronze LG2	AS 1565-C83600
12	Fasteners	Stainless Steel	-

Document Version | April 2014