

Z200

BRONZE GLOBE VALVE

Outside Screw - Rising Stem - Replaceable Bronze Trim

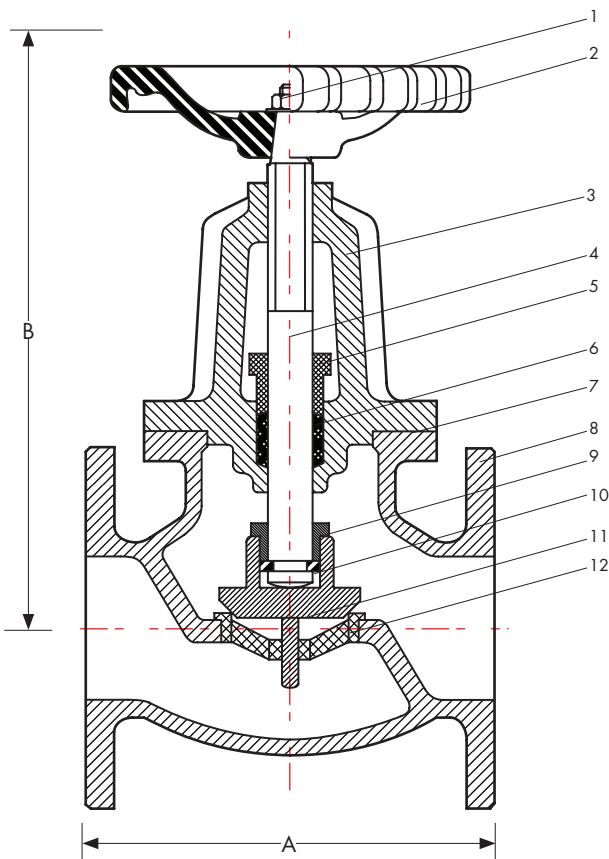
An AS 2129 E flanged, rising stem cast bronze valve with screw down screw lift, outside screw, bolted cover and gland and replaceable seat and disc. Cast integral bridge up to 200mm. 250mm and upwards in pillar and post construction.

PRESSURE/TEMPERATURE RATING

Steam up to 700KPA (100PSI)
 Max Service Temp 170°C (338°F)
 Water, Oil or Gas up to 1400KPA (200PSI)

OPTIONS

Open and Shut Indicator.
 Valves manufactured in other flange and material specifications on request.
 Also available as a Stop-Check Valve Screw Down Non Return (SDNR).



DIMENSIONS - mm

Size	15	20	25	32	40	50	65	80	100	125	150	200	250	300
A	120	140	162	181	187	216	235	267	330	381	432	533	636	686
B	175	205	234	245	250	285	320	345	400	500	540	616	749	810
Mass kg	5	5.3	8	12	14	16.5	21.2	25.3	48	85	106	158	305	371

Dimensions for larger sizes are available on request.

MATERIAL SPECIFICATIONS

REF	Component	Material	AS or BS Specification
1	Handwheel Nut	Stainless Steel	316 S/S
2	Handwheel	Cast Iron	AS 1830
3	Cover	Cast Bronze LG2	AS 1565-C83600
4	Spindle	DR. Brass	AS 1567-352
5	Gland	Cast Bronze LG2	AS 1565-C83600
6	Packing	PTFE	Klinger K10
7	Cover Gasket	Klinger	K'Sil 4430
8	Body	Cast Bronze LG2	AS 1565-C83600
9	Disc Nut	DR. Brass	AS 1567-352
10	Collet	DR. Brass	AS 1567-352
11	Disc	Cast Bronze LG2	AS 1565-C83600
12	Seat	Cast Bronze LG2	AS 1565-C83600
13	Fasteners (not shown)	Stainless Steel	316 S/S