



Z2

BRONZE GLOBE VALVE

Inside Screw - Rising Stem - Bronze Trim

An AS 2129 E flanged, rising stem cast bronze valve with inside screw, screwed cover, screw down screw lift and integral seat.

PRESSURE/TEMPERATURE RATING

Steam up to 700KPA (100PSI)
Max Service Temp 170°C (338°F)
Water, Oil or Gas up to 1400KPA (200PSI)

OPTIONS

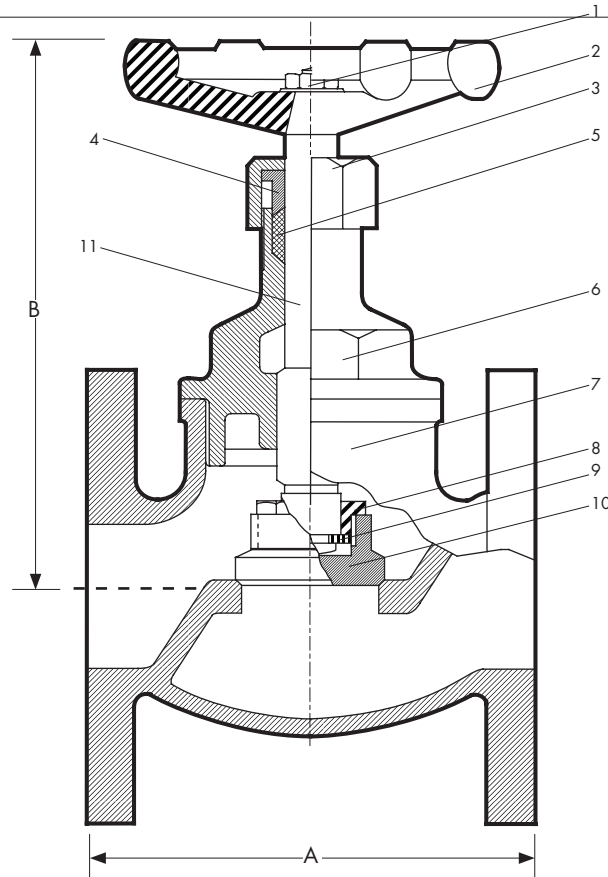
Open and Shut Indicator.

Locked Bonnet.

Valve modifications and body material specification available upon request.

Also available as a Stop-Check Valve Screw Down Non Return (SDNR).

Sizes 50mm and below is fitted with an aluminium handwheel. Those 65mm and above the handwheel is cast iron.



DIMENSIONS - mm								MATERIAL SPECIFICATIONS			
Size	25	32	40	50	65	80	100	REF	Component	Material	AS or BS Specification
A	89	89	105	135	165	187	203	1	Handwheel Nut	Stainless Steel	316 S/S
B	150	160	175	180	215	245	310	2	Handwheel#	Cast Iron	-
Mass kg	3.5	3.8	5.5	9	10	19	24	3	Gland Nut	DR. Brass	AS 1567-352
								4	Gland Follower	DR. Brass	AS 1567-352
								5	Packing	PTFE	Klinger K10
								6	Cover	Cast Bronze LG2	AS 1565-C83600
								7	Body	Cast Bronze LG2	AS 1565-C83600
								8	Collet	DR. Brass	AS 1567-352
								9	Disc Nut	Cast Bronze LG2	AS 1565-C83600
								10	Disc	Cast Bronze LG2	AS 1565-C83600
								11	Spindle	DR. Brass	AS 1567-352

Document Version | April 2014

1A Green Road Woodville West SA 5011

www.prometvalves.com promet@prometvalves.com

T: 08 8268 1777 ABN 47096 425 697 F: 08 8268 1711