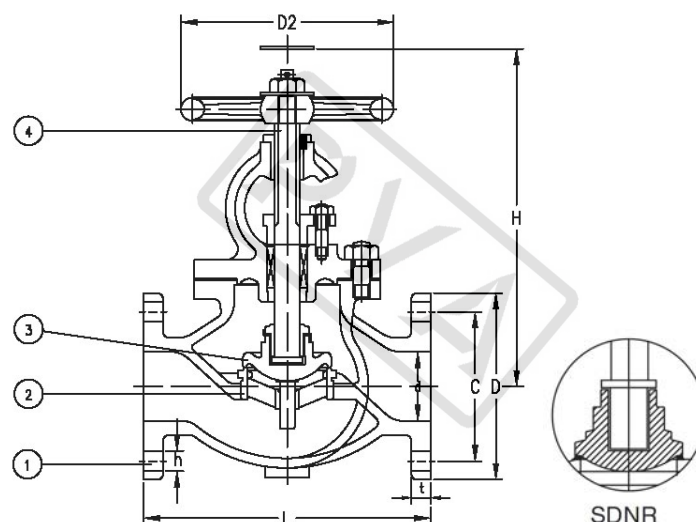



JISF7473 20K CAST STEEL SDNR GLOBE VALVE



Pressure Test		MPa	
Nominal Pressure/PN	2.0MPa	Shell Test	5.0 MPa
		Seat Test	3.67 MPa

Main material for fittings			
Item	Fittings	Material	Mark
1	Body	Cast Steel	SC230~450
2	Bonnet	Cast Steel	SC230~450
3	Disc	Stainless Steel	SS420
4	Seat	Stainless Steel	SS304
5	Stem	Stainless Steel	SS400
6	Handwheel	Cast Iron	FC200

Main data for flange connection							mm
Model	Face To Face	Flange Diam.	Flange PCD	Flange Hole	Height	Weight	
	L	D	C	n* ϕ d	H	kgs	
F7473 20K32	190	135	100	4 \times ϕ 19	270	14.4	
F7473 20K40	200	140	105	4 \times ϕ 19	290	16.0	
F7473 20K50	230	155	120	8 \times ϕ 19	305	21.6	
F7473 20K65	270	175	140	8 \times ϕ 19	345	30.1	
F7473 20K80	300	200	160	8 \times ϕ 23	385	43.5	
F7473 20K100	350	225	185	8 \times ϕ 23	440	62.3	
F7473 20K125	430	270	225	8 \times ϕ 25	500	95.7	
F7473 20K150	500	305	260	12 \times ϕ 25	550	133.3	
F7473 20K200	560	350	305	12 \times ϕ 25	630	296.1	
F7473 20K250	600	430	380	12 \times ϕ 27	725	339.1	

Design	Check	Signature	Logo	Supplier
asbsey	Chrit	Figor		PROMET VALVES AUSTRALIA
JAN.01,2013	JAN.01,2013	JAN.01,2013		

PROMET VALVES AUSTRALIA

1A Green Road Woodville West SA 5011 Australia / Tel:+61 8 8268 1777 / Fax:+61 8 8268 1711
 promet@prometvalves.com / www.prometvalves.com / ABN 47 096 425 697