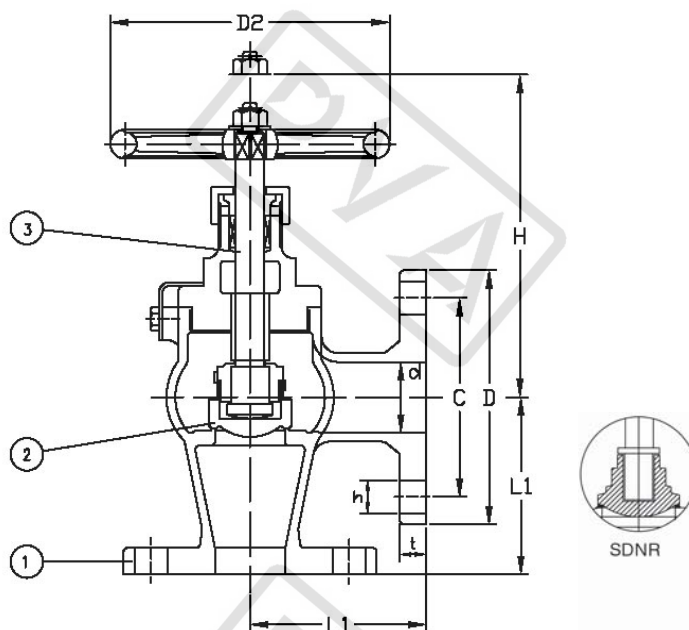


JISF7414 16K CAST BRONZE UNION BONNET SDNR GLOBE VALVE



Pressure Test MPa			
Nominal Pressure/PN	1.6MPa	Shell Test	2.38 MPa
		Seat Test	1.76 MPa

Main material for fittings			
Item	Fittings	Material	Mark
1	Body	Cast Bronze	BC6
2	Bonnet	Cast Bronze	BC6
3	Disc	Cast Bronze	BC6
4	Seat	Cast Bronze	BC6
5	Stem	Forged Brass	C3771BD
6	Handwheel	Cast Iron	FC200

Main data for flange connection mm						
Model	Face To Face	Flange Diam.	Flange PCD	Flange Hole	Height	Weight
	L1	D	C	n* \varnothing d	H	kgs
F7414 16K15	70	95	70	4* \varnothing 15	120	2.67
F7414 16K20	75	100	75	4* \varnothing 15	125	3.56
F7414 16K25	85	125	90	4* \varnothing 19	140	5.02
F7414 16K32	95	135	100	4* \varnothing 19	145	6.58
F7414 16K40	100	140	105	4* \varnothing 19	160	7.95

Design	Check	Signature	Logo	Supplier
asbsey	Chrit	Figor		PROMET VALVES AUSTRALIA
JAN.01,2013	JAN.01,2013	JAN.01,2013		

PROMET VALVES AUSTRALIA

1A Green Road Woodville West SA 5011 Australia / Tel:+61 8 8268 1777 / Fax:+61 8 8268 1711
 promet@prometvalves.com / www.prometvalves.com / ABN 47 096 425 697