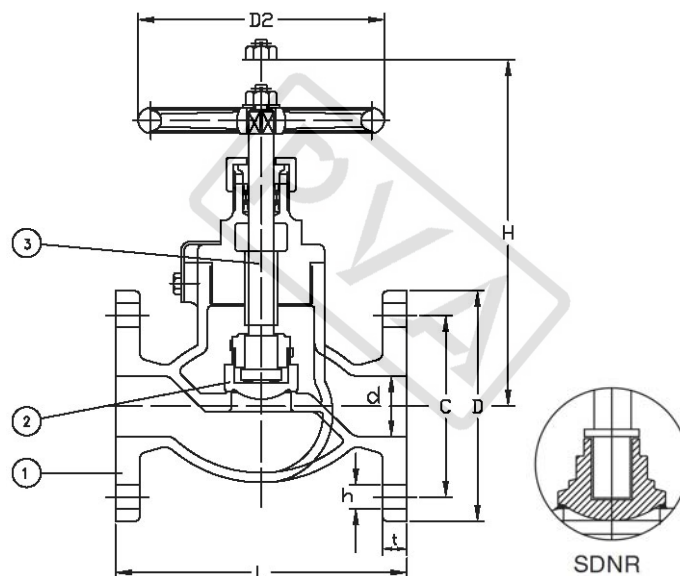



# JISF7409 16K CAST BRONZE SDNR GLOBE VALVE



Pressure Test MPa			
Nominal Pressure/PN	1.6MPa	Shell Test	2.38 MPa
		Seat Test	1.76 MPa

Main material for fittings			
Item	Fittings	Material	Mark
1	Body	Cast Bronze	BC6
2	Bonnet	Cast Bronze	BC6
3	Disc	Cast Bronze	BC6
4	Seat	Cast Bronze	BC6
5	Stem	Forged Brass	C3771BD
6	Hand wheel	Cast Iron	FC200

Main data for flange connection mm						
Model	Face To Face	Flange Diam.	Flange PCD	Flange Hole	Height	Weight
	L	D	C	n* $\varnothing$ d	H	kgs
F7409 16K15	110	95	70	4 $\times$ $\varnothing$ 15	130	2.70
F7409 16K20	120	100	75	4 $\times$ $\varnothing$ 15	140	3.63
F7409 16K25	130	125	90	4 $\times$ $\varnothing$ 19	160	5.09
F7409 16K32	160	135	100	4 $\times$ $\varnothing$ 15	170	6.77
F7409 16K40	180	140	105	4 $\times$ $\varnothing$ 19	190	8.25

Design	Check	Signature	Logo	Supplier
asbsey	Chrit	Figor		PROMET VALVES AUSTRALIA
JAN.01,2013	JAN.01,2013	JAN.01,2013		

## PROMET VALVES AUSTRALIA

1A Green Road Woodville West SA 5011 Australia / Tel:+61 8 8268 1777 / Fax:+61 8 8268 1711  
 promet@prometvalves.com / www.prometvalves.com / ABN 47 096 425 697