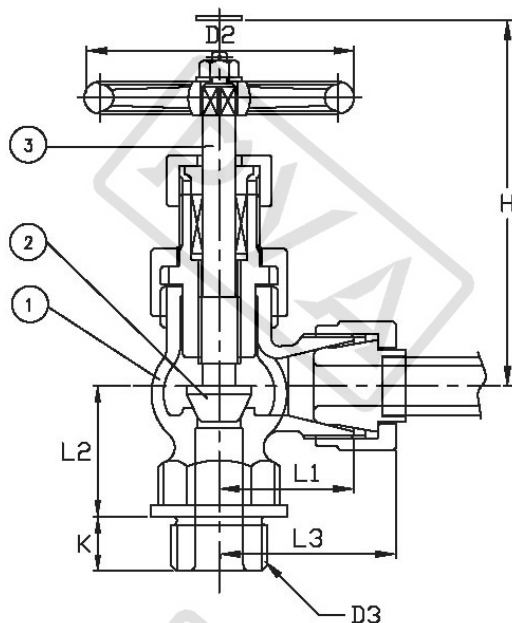



JISF7389 20K CAST BRONZE ANGLE VALVE



Pressure Test MPa			
Nominal Pressure/PN	2.0MPa	Shell Test	4.20MPa
		Seat Test	3.08MPa

Main material for fittings			
Item	Fittings	Material	Mark
1	Body	Cast Bronze	BC6
2	Bonnet	Forged Brass	C3771BD
3	Disc	Cast Bronze	BC6
4	Seat	Cast Bronze	BC6
5	Stem	Forged Brass	C3771BD
6	Handwheel	Cast Iron	FC200

Main data for flange connection mm									
PN/DN	Pipe OD		L1	L2	L3	d3	K	H	D2
F7389 20K 6	8/10	10.5	32	32	41	M20×1.5	12	95	63
F7389 20K10	15	17.3	39	35	51	M24×2	16	105	80

Design	Check	Signature	Logo	Supplier
asbsey	Chrit	Figor		PROMET VALVES AUSTRALIA
JAN.01,2013	JAN.01,2013	JAN.01,2013		

PROMET VALVES AUSTRALIA

1A Green Road Woodville West SA 5011 Australia / Tel:+61 8 8268 1777 / Fax:+61 8 8268 1711
 promet@prometvalves.com / www.prometvalves.com / ABN 47 096 425 697