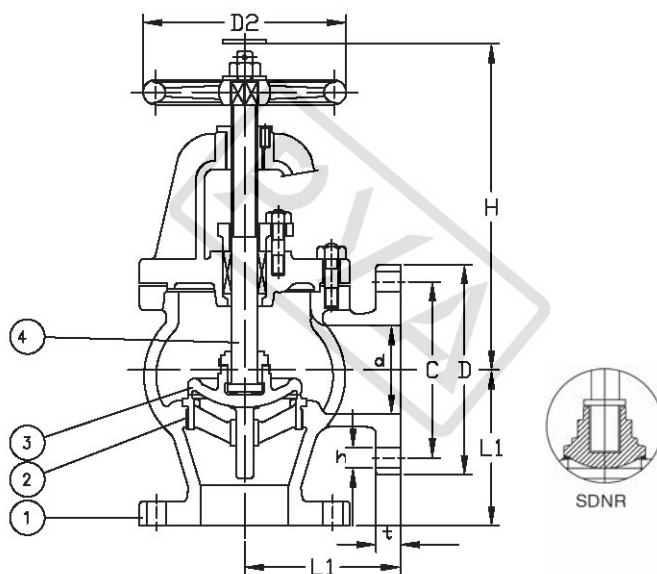



JISF7354 5K CAST IRON SDNR ANGLE VALVE



| Pressure Test | | MPa | |
|---------------------|--------|------------|----------|
| Nominal Pressure/PN | 0.5MPa | Shell Test | 1.03 MPa |
| | | Seat Test | 0.76 MPa |

| Main material for fittings | | | |
|----------------------------|-----------|------------------------------|---------------|
| Item | Fittings | Material | Mark |
| 1 | Body | Cast Iron | FC200 |
| 2 | Bonnet | Cast Iron | FC200 |
| 3 | Disc | Stainless Steel/Cast Bronze | SS420/BC6 |
| 4 | Seat | Stainless Steel/Cast Bronze | SS420/BC6 |
| 5 | Stem | Stainless Steel/Forged Brass | SS400/C3771BD |
| 6 | Handwheel | Cast Iron | FC200 |

| Main data for flange connection | | | | | | |
|---------------------------------|--------------|-----------------|------------|---------------|--------|--------|
| Model | Face To Face | Flange Diameter | Flange PCD | Flange Hole | Height | Weight |
| | L1 | D | C | n* ϕ d | H | kgs |
| F7354 5K50 | 100 | 130 | 105 | 4* ϕ 15 | 240 | 12.90 |
| F7354 5K65 | 115 | 155 | 130 | 4* ϕ 15 | 255 | 18.20 |
| F7354 5K80 | 130 | 180 | 145 | 4* ϕ 19 | 265 | 23.30 |
| F7354 5K100 | 150 | 200 | 165 | 8* ϕ 19 | 310 | 33.50 |
| F7354 5K125 | 170 | 235 | 200 | 8* ϕ 19 | 330 | 46.50 |
| F7354 5K150 | 190 | 265 | 230 | 8* ϕ 19 | 380 | 64.00 |
| F7354 5K200 | 220 | 320 | 280 | 8* ϕ 23 | 450 | 104.00 |
| F7354 5K250 | 275 | 385 | 345 | 12* ϕ 23 | 540 | 175.00 |
| F7354 5K300 | 310 | 430 | 390 | 12* ϕ 23 | 610 | 243.00 |
| F7354 5K350 | 360 | 480 | 435 | 12* ϕ 25 | 690 | 336.00 |
| F7354 5K400 | 395 | 540 | 495 | 16* ϕ 25 | 770 | 459.00 |

| Design | Check | Signature | Logo | Supplier |
|-------------|-------------|-------------|---|-------------------------|
| asbsey | Chrit | Figor |  | PROMET VALVES AUSTRALIA |
| JAN.01,2013 | JAN.01,2013 | JAN.01,2013 | | |

PROMET VALVES AUSTRALIA

1A Green Road Woodville West SA 5011 Australia / Tel:+61 8 8268 1777 / Fax:+61 8 8268 1711
 promet@prometvalves.com / www.prometvalves.com / ABN 47 096 425 697