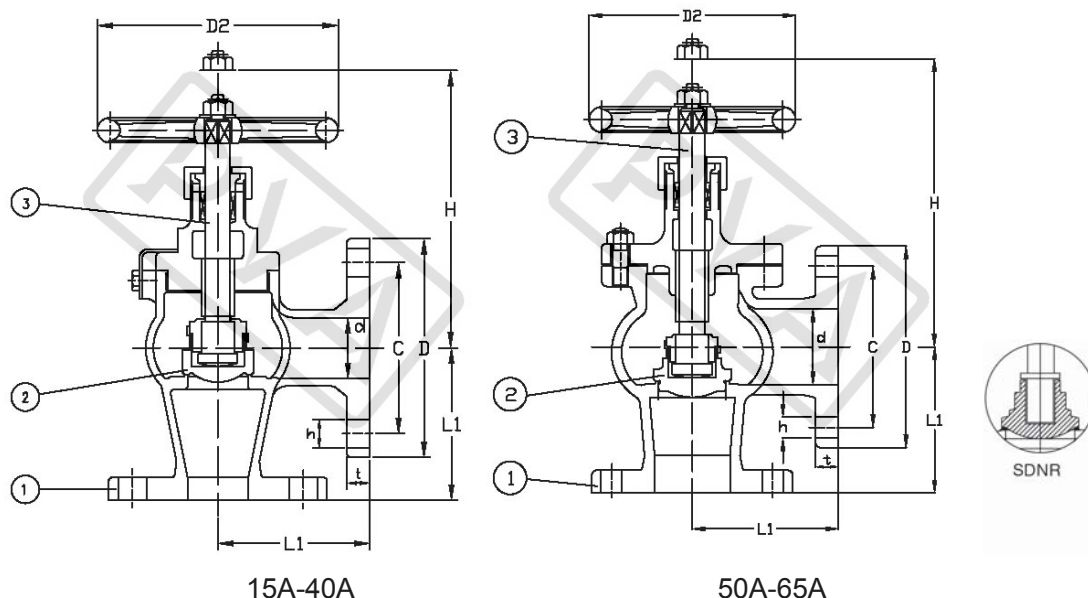



JISF7352 CAST BRONZE SDNR ANGLE VALVE



Pressure Test MPa			
Nominal Pressure/PN	0.5MPa	Shell Test	0.76MPa
		Seat Test	1.05MPa

Main material for fittings			
Item	Fittings	Material	Mark
1	Body	Cast Bronze	BC6
2	Bonnet	Cast Bronze	BC6
3	Disc	Cast Bronze	BC6
4	Seat	Cast Bronze	BC6
5	Stem	Forged Brass	C3771BD
6	Handwheel	Cast Iron	FC200

Main data for flange connection					mm	
Model	Face To Face	Flange Diameter	Flange PCD	Flange Hole	Height	Weight
	L1	D	C	n* ϕ d	H	kgs
F7352	55	80	60	4 \times ϕ 12	120	1.92
F7352	60	85	65	4 \times ϕ 12	130	2.64
F7352	65	95	75	4 \times ϕ 12	145	3.30
F7352	80	115	90	4 \times ϕ 15	150	4.63
F7352	85	120	95	4 \times ϕ 15	165	5.81
F7352	100	130	105	4 \times ϕ 15	200	10.10
F7352	115	155	130	4 \times ϕ 15	220	15.60

Design	Check	Signature	Logo	Supplier
asbsey	Chrit	Figor		PROMET VALVES AUSTRALIA
JAN.01,2013	JAN.01,2013	JAN.01,2013		

PROMET VALVES AUSTRALIA

1A Green Road Woodville West SA 5011 Australia / Tel:+61 8 8268 1777 / Fax:+61 8 8268 1711
 promet@prometvalves.com / www.prometvalves.com / ABN 47 096 425 697