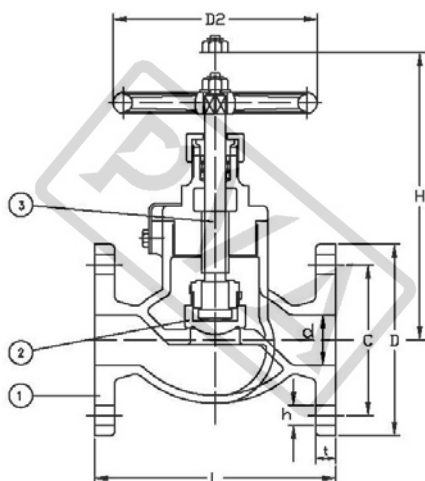
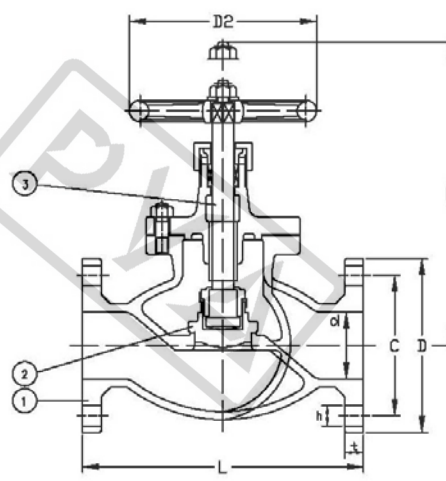


# JISF7351 5K CAST BRONZE SDNR GLOBE VALVE



DN15-DN40




DN50-DN65

Pressure Test MPa			
Nominal Pressure/PN	0.5MPa	Shell Test	0.76MPa
		Seat Test	1.05MPa

Main material for fittings			
Item	Fittings	Material	Mark
1	Body	Cast Bronze	BC6
2	Bonnet	Cast Bronze	BC6
3	Disc	Cast Bronze	BC6
4	Seat	Cast Bronze	BC6
5	Stem	Forged Brass	C3771BD
6	Hand wheel	Cast Iron	FC200

Main data for flange connection						mm
Model	Face To Face	Flange Diameter	Flange PCD	Flange Hole	Height	Weight
	L	D	C	n* $\varnothing$ d	H	kgs
F7351 5K15	100	80	60	4× $\varnothing$ 12	130	1.96
F7351 5K20	110	85	65	4× $\varnothing$ 12	140	2.77
F7351 5K25	120	95	75	4× $\varnothing$ 12	160	3.41
F7351 5K32	140	115	90	4× $\varnothing$ 15	170	4.86
F7351 5K40	160	120	95	4× $\varnothing$ 15	190	6.30
F7351 5K50	210	130	105	4× $\varnothing$ 15	235	11.70
F7351 5K65	250	155	130	4× $\varnothing$ 15	260	17.00

Design	Check	Signature	Logo	Supplier
asbsey	Chrit	Figor		PROMET VALVES AUSTRALIA
JAN.01,2013	JAN.01,2013	JAN.01,2013		

**PROMET VALVES AUSTRALIA**

1A Green Road Woodville West SA 5011 Australia / Tel:+61 8 8268 1777 / Fax:+61 8 8268 1711  
 promet@prometvalves.com / www.prometvalves.com / ABN 47 096 425 697