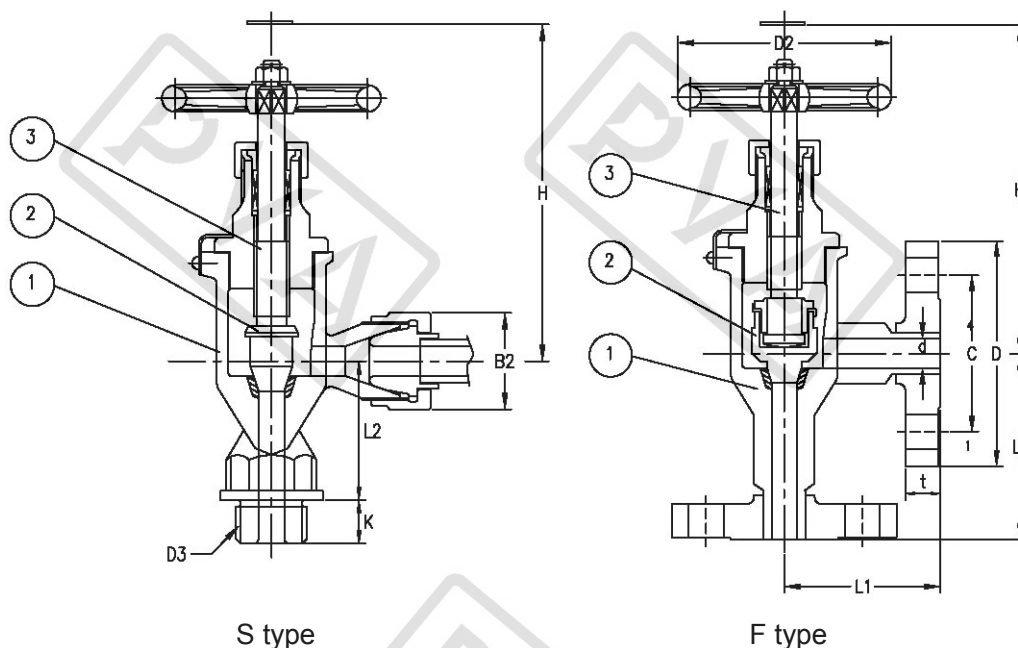


# JISF7337 30K FORGED STEEL ANGLE AIR VALVE S/F Type



Pressure Test		MPa
Nominal Pressure/PN	3.0MPa	Shell Test
		Seat Test
		6.90 MPa
		5.06 MPa

Main material for fittings			
Item	Fittings	Material	Mark
1	Body	Forged Steel	SF440A
2	Bonnet	Forged Steel	SF440A
3	Disc	Stainless Steel	SS420J1
4	Seat	Stainless Steel	SS420J1
5	Stem	Stainless Steel	SS400
6	Handwheel	Cast Iron	FC200

Main data for flange connection											mm
Model	Face to Face			End		Flange			Height	Weight	
	PN/DN	L1	L2	K	B2	D3	D	C	n*h	H	Kg
F7337 30K6S	-	38	12	30	M20×1.5	-	-	-	-	115	1.23
F7337 30K10S	-	45	16	41	M24×2	-	-	-	-	130	1.75
F7337 30K15	90	-	-	-	-	-	115	80	4×Φ19	175	5.59
F7337 30K20	95	-	-	-	-	-	120	85	4×Φ19	185	7.00
F7337 30K25	100	-	-	-	-	-	130	95	4×Φ19	210	9.11

Design	Check	Signature	Logo	Supplier
asbsey	Chrit	Figor		<b>PROMET VALVES AUSTRALIA</b>
JAN.01,2013	JAN.01,2013	JAN.01,2013		