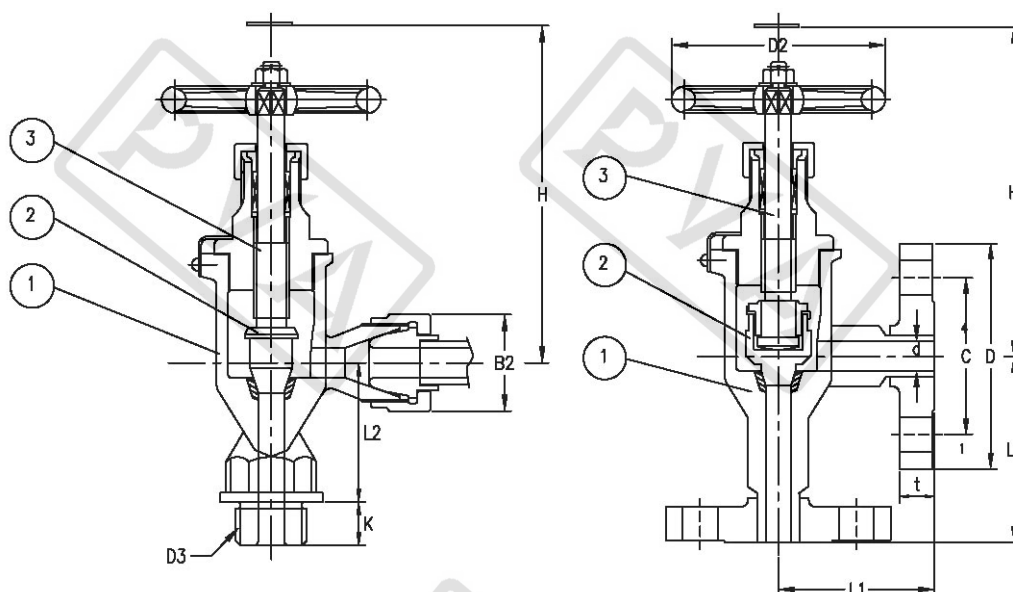


JISF7330 40K FORGED STEEL ANGLE VALVE S/F Type



Pressure Test MPa			
Nominal Pressure/PN	4.0MPa	Shell Test	9.30 MPa
		Seat Test	6.82 MPa

Main material for fittings			
Item	Fittings	Material	Mark
1	Body	Forged Steel	SF440A
2	Bonnet	Forged Steel	SF440A
3	Disc	Stainless Steel	SS420J1
4	Seat	Stainless Steel	SS420J1
5	Stem	Stainless Steel	SS400
6	Handwheel	Cast Iron	FC200

Main data for flange connection mm										
Model	Face to Face			End		Flange			Height	Weight
PN/DN	L1	L2	K	B2	D3	D	C	n*h	H	Kg
F7330 40K6S	-	38	12	30	M20×1.5	-	-	-	140	1.47
F7330 40K10S	-	45	16	41	M24×2	-	-	-	145	1.70
F7330 40K15	90	-	-	-	-	115	80	4×Φ19	190	5.89
F7330 40K20	95	-	-	-	-	120	85	4×Φ19	220	7.27
F7330 40K25	100	-	-	-	-	130	95	4×Φ19	235	9.38

Design	Check	Signature	Logo	Supplier
asbsey	Chrit	Figor		PROMET VALVES AUSTRALIA
JAN.01,2013	JAN.01,2013	JAN.01,2013		