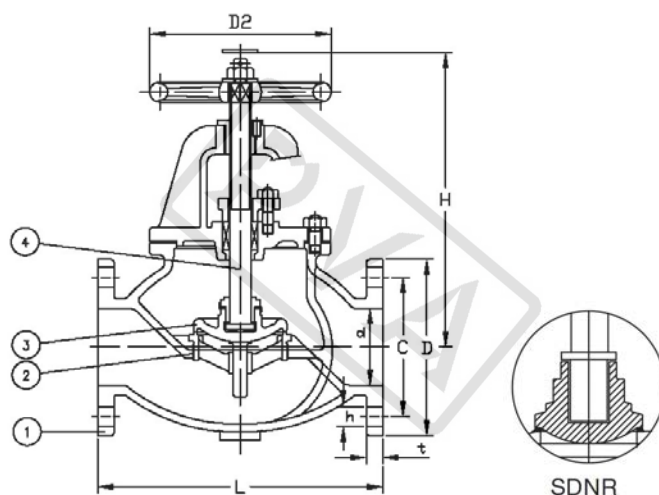


JISF7311C 5K CAST STEEL SDNR GLOBE VALVE



Pressure Test		MPa	
Nominal Pressure/PN	0.5MPa	Shell Test	1.03 MPa
		Seat Test	0.76 MPa

Main material for fittings			
Item	Fittings	Material	Mark
1	Body	Cast Steel	SC230~450
2	Bonnet	Cast Steel	SC230~450
3	Disc	Stainless Steel/Cast Bronze	SS420/BC6
4	Seat	Stainless Steel/Cast Bronze	SS420/BC6
5	Stem	Stainless Steel/Forged Brass	SS400/C3771BD
6	Handwheel	Cast Iron	FC200

Main data for flange connection						
Model	Face To Face	Flange Diameter	Flange PCD	Flange Hole	Height	Weight
	L	D	C	n* \varnothing d	H	kgs
F7311C 5K50	210	130	105	4 \times \varnothing 15	270	14.8
F7311C 5K65	250	155	130	4 \times \varnothing 15	300	21.3
F7311C 5K80	280	180	145	4 \times \varnothing 19	310	27.6
F7311C 5K100	340	200	165	8 \times \varnothing 19	360	40.4
F7311C 5K125	410	235	200	8 \times \varnothing 19	390	57.9
F7311C 5K150	480	265	230	8 \times \varnothing 19	445	80.9
F7311C 5K200	570	320	280	8 \times \varnothing 23	530	139.0
F7311C 5K250	740	385	345	12 \times \varnothing 23	650	243.0
F7311C 5K300	840	430	390	12 \times \varnothing 23	740	320.0
F7311C 5K350	940	480	435	12 \times \varnothing 25	840	462.0
F7311C 5K400	1050	540	495	16 \times \varnothing 25	940	647.0

Design	Check	Signature	Logo	Supplier
asbsey	Chrit	Figor		PROMET VALVES AUSTRALIA
JAN.01,2013	JAN.01,2013	JAN.01,2013		

PROMET VALVES AUSTRALIA

1A Green Road Woodville West SA 5011 Australia / Tel:+61 8 8268 1777 / Fax:+61 8 8268 1711
 promet@prometvalves.com / www.prometvalves.com / ABN 47 096 425 697