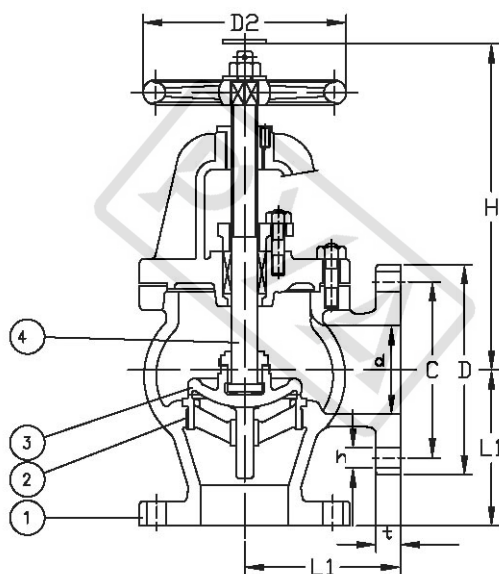



# JISF7306 5K CAST IRON ANGLE VALVE



Pressure Test		MPa	
Nominal Pressure/PN	0.5MPa	Shell Test	1.03 MPa
		Seat Test	0.76 MPa

Main material for fittings			
Item	Fittings	Material	Mark
1	Body	Cast Iron	FC200
2	Bonnet	Cast Iron	FC200
3	Disc	Stainless Steel/Cast Bronze	SS420/BC6
4	Seat	Stainless Steel/Cast Bronze	SS420/BC6
5	Stem	Stainless Steel/Forged Brass	SS400/C3771BD
6	Handwheel	Cast Iron	FC200

Main data for flange connection						
Model	Face To Face	Flange Diameter	Flange PCD	Flange Hole	Height	Weight
	L1	D	C	n* $\phi$ d	H	kgs
F7306 5K50	100	130	105	4 $\times$ $\phi$ 15	240	12.90
F7306 5K65	115	155	130	4 $\times$ $\phi$ 15	255	18.20
F7306 5K80	130	180	145	4 $\times$ $\phi$ 19	265	23.40
F7306 5K100	150	200	165	8 $\times$ $\phi$ 19	310	33.70
F7306 5K125	170	235	200	8 $\times$ $\phi$ 19	330	46.20
F7306 5K150	190	265	230	8 $\times$ $\phi$ 19	380	63.40
F7306 5K200	220	320	280	8 $\times$ $\phi$ 23	450	105.00
F7306 5K250	275	385	345	12 $\times$ $\phi$ 23	540	176.00
F7306 5K300	310	430	390	12 $\times$ $\phi$ 23	610	243.00
F7306 5K350	360	480	435	12 $\times$ $\phi$ 25	690	327.00
F7306 5K400	395	540	495	16 $\times$ $\phi$ 25	770	459.00

Design	Check	Signature	Logo	Supplier
asbsey	Chrit	Figor		PROMET VALVES AUSTRALIA
JAN.01,2013	JAN.01,2013	JAN.01,2013		

## PROMET VALVES AUSTRALIA

1A Green Road Woodville West SA 5011 Australia / Tel:+61 8 8268 1777 / Fax:+61 8 8268 1711  
 promet@prometvalves.com / www.prometvalves.com / ABN 47 096 425 697