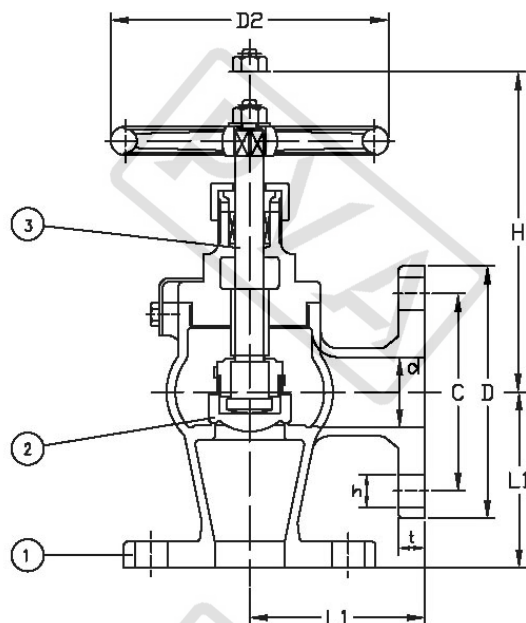



# JISF7304 16K CAST BRONZE GLOBE VALVE



Pressure Test		MPa	
Nominal Pressure/PN	1.6MPa	Shell Test	2.38 MPa
		Seat Test	1.76 MPa

Main material for fittings			
Item	Fittings	Material	Mark
1	Body	Cast Bronze	BC6
2	Bonnet	Cast Bronze	BC6
3	Disc	Cast Bronze	BC6
4	Seat	Cast Bronze	BC6
5	Stem	Forged Brass	C3771BD
6	Handwheel	Cast Iron	FC200

Main data for flange connection							mm
Model	Face To Face	Flange Diam.	Flange PCD	Flange Hole	Height	Weight	
	L1	D	C	n* $\varnothing$ d	H	kgs	
F7304 16K15	70	95	70	4 $\times$ $\varnothing$ 15	120	2.73	
F7304 16K20	75	100	75	4 $\times$ $\varnothing$ 15	125	3.65	
F7304 16K25	85	125	90	4 $\times$ $\varnothing$ 19	140	5.16	
F7304 16K32	95	135	100	4 $\times$ $\varnothing$ 15	145	6.72	
F7304 16K40	100	140	105	4 $\times$ $\varnothing$ 19	160	8.13	

Design	Check	Signature	Logo	Supplier
asbsey	Chrit	Figor		PROMET VALVES AUSTRALIA
JAN.01,2013	JAN.01,2013	JAN.01,2013		

## PROMET VALVES AUSTRALIA

1A Green Road Woodville West SA 5011 Australia / Tel:+61 8 8268 1777 / Fax:+61 8 8268 1711  
 promet@prometvalves.com / www.prometvalves.com / ABN 47 096 425 697