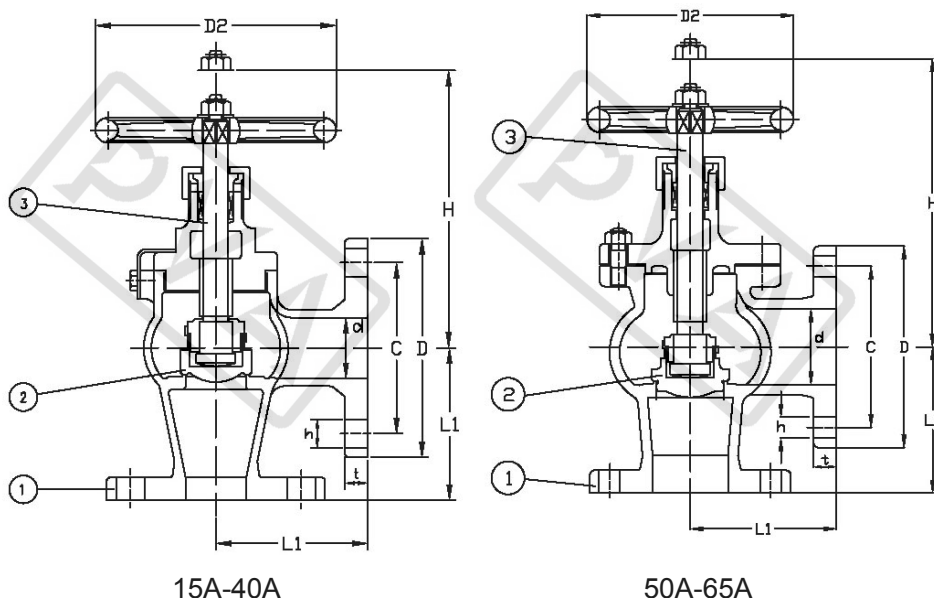


JISF7302 CAST BRONZE ANGLE VALVE




15A-40A

50A-65A

Pressure Test MPa			
Nominal Pressure/PN	0.5MPa	Shell Test	0.76MPa
		Seat Test	1.05MPa

Main material for fittings			
Item	Fittings	Material	Mark
1	Body	Cast Bronze	BC6
2	Bonnet	Cast Bronze	BC6
3	Disc	Cast Bronze	BC6
4	Seat	Cast Bronze	BC6
5	Stem	Forged Brass	C3771BD
6	Handwheel	Cast Iron	FC200

Main data for flange connection						mm	
Model	Face To Face	Flange Diameter	Flange PCD	Flange Hole	Height	Weight	
	L1	D	C	n* \varnothing d	H	kgs	
F7302 5K15	55	80	60	4* \varnothing 12	120	1.98	
F7302 5K20	60	85	65	4* \varnothing 12	130	2.73	
F7302 5K25	65	95	75	4* \varnothing 12	145	3.44	
F7302 5K32	80	115	90	4* \varnothing 15	150	4.77	
F7302 5K40	85	120	95	4* \varnothing 15	165	5.99	
F7302 5K50	100	130	105	4* \varnothing 15	200	10.10	
F7302 5K65	115	155	130	4* \varnothing 15	220	15.60	

Design	Check	Signature	Logo	Supplier
asbsey	Chrit	Figor		PROMET VALVES AUSTRALIA
JAN.01,2013	JAN.01,2013	JAN.01,2013		

PROMET VALVES AUSTRALIA

1A Green Road Woodville West SA 5011 Australia / Tel:+61 8 8268 1777 / Fax:+61 8 8268 1711
 promet@prometvalves.com / www.prometvalves.com / ABN 47 096 425 697