



Z601B-AB2

ALUMINIUM BRONZE GATE VALVE

Outside Screw & Yoke - Rising Stem - Bronze Trim

Cast Aluminium Bronze Wedge Gate Valve. Outside Screw and Yoke., Bolted Cover & Gland, Rising Stem, Integral Seats. Flanged to AS2129. Table "E".

PRESSURE/TEMPERATURE RATING

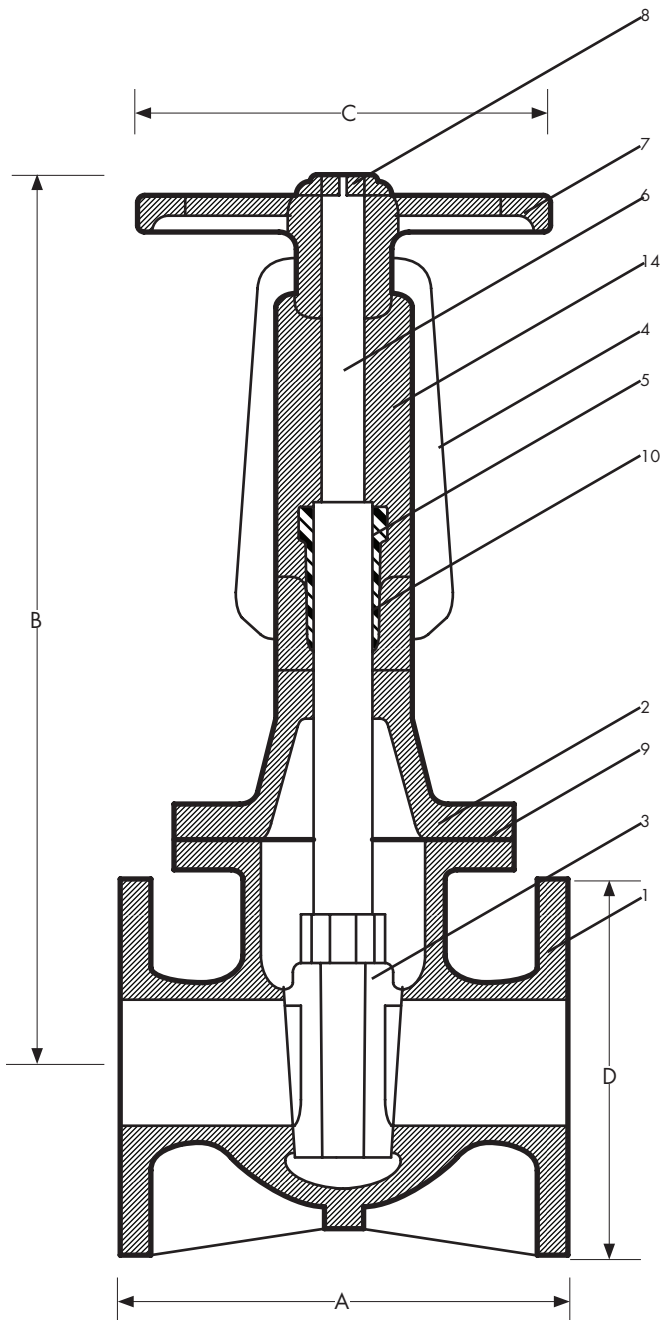
Max Service Temp 170°C (338°F)

Water, Oil or Gas up to 1400KPA (200PSI)

OPTIONS

Screwed in Body Seat Rings available upon request.

Valves manufactured in other flange and body material specifications on request.



DIMENSIONS - mm

Size	32	40	50	65	80	100	125	150	200	250
A	118	118	143	156	172	210	215	215	292	330
B	175	180	236	265	309	357	420	490	580	705
C	95	95	120	200	200	200	250	300	350	400
D	115	120	135	165	185	215	254	279	337	406

Dimensions for larger sizes are available on request.

MATERIAL SPECIFICATIONS

REF	Component	Material	AS or BS Specification
1	Body	Alum Bronze	AB2
2	Cover	Alum Bronze	AB2
3	Wedge	Alum Bronze	AB2
4	Bridge	Alum Bronze	AB2
5	Gland	Alum Bronze	AB2
6	Spindle	Monel 400	Monel 400
7	Handwheel	Cast Iron	AS 1830
8	Handwheel Nut	Stainless Steel	-
9	Gasket	Klinger	K'Sil 4430
10	Packing	PTFE	Klinger K10
11	Cover Bolts	304 Stainless Steel	-
12	Cover Nuts	316 Stainless Steel	-
13	Gland Nuts	316 Stainless Steel	-
14	Yoke Sleeve	Alum Bronze	AB2

Document Version | April 2014