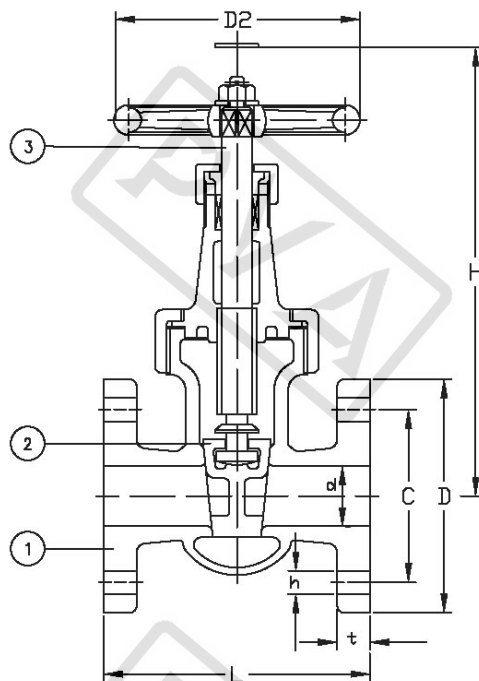



# JISF7367 5K CAST BRONZE RISING STEM GATE VALVE



		Pressure Test MPa	
Nominal Pressure/PN	0.5MPa	Shell Test	1.05MPa
		Seat Test	0.75MPa

Main material for fittings			
Item	Fittings	Material	Mark
1	Body	Cast Bronze	BC6
2	Bonnet	Cast Bronze	BC6
3	Disc	Cast Bronze	BC6
4	Seat	Cast Bronze	BC6
5	Stem	Forged Brass	C3771BD
6	Handwheel	Cast Iron	FC200

Main data for flange connection						mm	
Model	Face To Face	Flange Diam.	Flange PCD	Flange Hole	Height	Weight	
	L1	D	C	n* $\varnothing$ d	H	kgs	
F7367 5K15	90	80	60	4 $\times$ $\varnothing$ 12	175	2.29	
F7367 5K20	100	85	65	4 $\times$ $\varnothing$ 12	220	2.98	
F7367 5K25	110	95	75	4 $\times$ $\varnothing$ 12	220	4.10	
F7367 5K32	130	115	90	4 $\times$ $\varnothing$ 15	250	5.79	
F7367 5K40	140	120	95	4 $\times$ $\varnothing$ 15	290	7.78	
F7367 5K50	180	130	105	4 $\times$ $\varnothing$ 15	340	13.50	
F7367 5K65	190	155	130	4 $\times$ $\varnothing$ 15	360	19.00	

Design	Check	Signature	Logo	Supplier
asbsey	Chrit	Figor		PROMET VALVES AUSTRALIA
JAN.01,2013	JAN.01,2013	JAN.01,2013		

## PROMET VALVES AUSTRALIA

1A Green Road Woodville West SA 5011 Australia / Tel:+61 8 8268 1777 / Fax:+61 8 8268 1711  
 promet@prometvalves.com / www.prometvalves.com / ABN 47 096 425 697