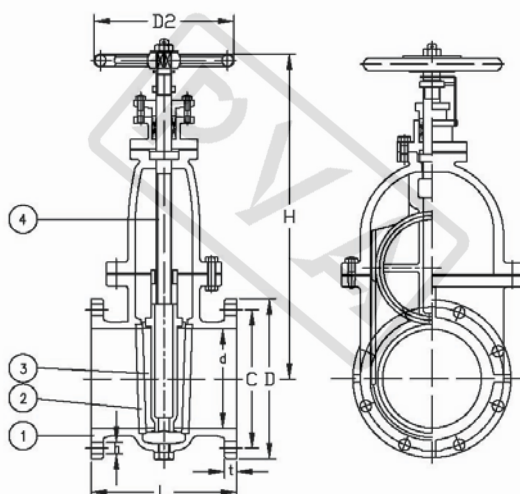


JISF7366 10K CAST STEEL NON-RISING STEM GATE VALVE WITH BRASS INDICATOR



Pressure Test MPa			
Nominal Pressure/PN	1.0MPa	Shell Test	2.1MPa
		Seat Test	1.54MPa

Main material for fittings			
Item	Fittings	Material	Mark
1	Body	Cast Steel	SC230~450
2	Bonnet	Cast Steel	SC230~450
3	Wedge	Cast Steel	SC230~450
4	Seat	Stainless Steel/Cast Bronze	SS420/BC6
5	Stem	Stainless Steel/Forged Brass	SS400/C3771BD
6	Handwheel	Cast Iron	FC200

Main data for flange connection						mm
Model	Face To Face	Flange Diam.	Flange PCD	Flange Hole	Height	Weight
	L1	D	C	n* ϕ d	H	kgs
F7366 10K50	200	155	120	4 \times ϕ 19	300	17.10
F7366 10K65	220	175	140	4 \times ϕ 19	350	26.50
F7366 10K80	230	185	150	8 \times ϕ 19	400	31.50
F7366 10K100	250	210	175	8 \times ϕ 19	450	44.90
F7366 10K125	270	250	210	8 \times ϕ 23	520	63.20
F7366 10K150	290	280	240	8 \times ϕ 23	580	82.30
F7366 10K200	310	330	290	12 \times ϕ 23	700	130.00
F7366 10K250	340	400	355	12 \times ϕ 25	840	203.00
F7366 10K300	380	445	400	16 \times ϕ 25	960	291.00
F7366 10K350	420	490	445	16 \times ϕ 25	1050	368.00
F7366 10K400	480	560	510	16 \times ϕ 27	1150	507.00

Design	Check	Signature	Logo	Supplier
asbsey	Chrit	Figor		PROMET VALVES AUSTRALIA
JAN.01,2013	JAN.01,2013	JAN.01,2013		

PROMET VALVES AUSTRALIA

1A Green Road Woodville West SA 5011 Australia / Tel:+61 8 8268 1777 / Fax:+61 8 8268 1711
 promet@prometvalves.com / www.prometvalves.com / ABN 47 096 425 697