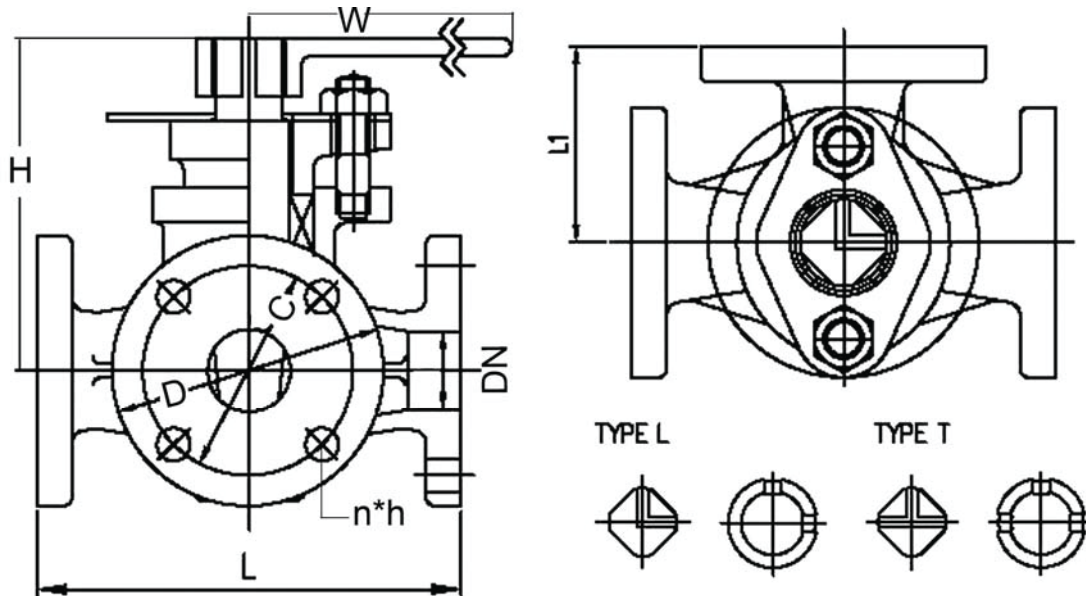



## JISF7381 5K CAST BRONZE THREE WAY VALVE L PORT TYPE / T PORT TYPE



Pressure Test MPa			
Nominal Pressure/PN	0.5MPa	Shell Test	1.03 MPa
		Seat Test	0.76 MPa

Main material for fittings			
Item	Fittings	Material	Mark
1	Body	Cast Bronze	BC6
2	Bonnet	Forged Brass	C3771BD
3	Plug	Cast Bronze	BC6
4	Seat	Cast Bronze	BC6
5	Stem	Forged Brass	C3771BD
6	Lever	Steel	SS400

Main data for flange connection									
Model	Face/Face		Flange Diam.	Flange PCD	Flange Hole	Height	Width	Weight/Kgs	
	L	L1	D	C	n* $\phi$ d	H	W	L Type	T Type
5K25	130	65	95	75	4 $\times$ $\phi$ 12	105	140	3.9	3.2
5K32	160	80	115	90	4 $\times$ $\phi$ 15	125	160	5.3	5.2
5K40	170	85	120	95	4 $\times$ $\phi$ 15	135	180	7.6	7.5
5K50	190	95	130	105	4 $\times$ $\phi$ 15	163	230	11.2	11.1
5K65	220	110	155	130	4 $\times$ $\phi$ 15	201	250	16.2	16

Design	Check	Signature	Logo	Supplier
asbsey	Chrit	Figor		PROMET VALVES AUSTRALIA
JAN.01,2013	JAN.01,2013	JAN.01,2013		