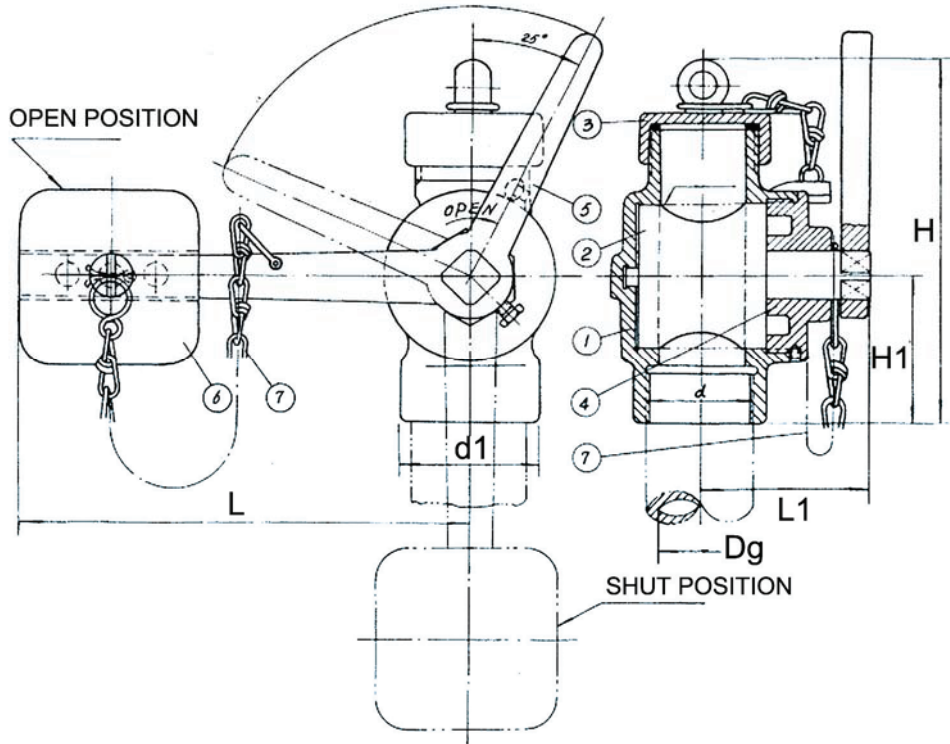




F3018 CAST BRONZE SOUNDING COCK VALVE



Pressure Test		MPa	
Nominal Pressure/PN	0.5MPa	Shell Test	0.3 MPa
		Seat Test	0.2 MPa

Main material for fittings			
Item	Fittings	Material	Mark
1	Body	Cast Bronze	BC6
2	Cap	Cast Bronze	BC6
3	Disc/Seat	Cast Bronze	BC6
4	Lever	Steel	SS400
5	Counter weight	Cast iron	FC200
	Chain	Brass	H62

Main data for flange connection						mm	
Dg	d	d1	H	H1	L	L1	
40	G1-1/2"	60	162	65	200	75	
50	G2"	70	167	70	200	75	
65	G2-1/2"	80	167	70	200	75	

Design	Check	Signature	Logo	Supplier
asbsey	Chrit	Figor		PROMET VALVES AUSTRALIA
JAN.01,2013	JAN.01,2013	JAN.01,2013		