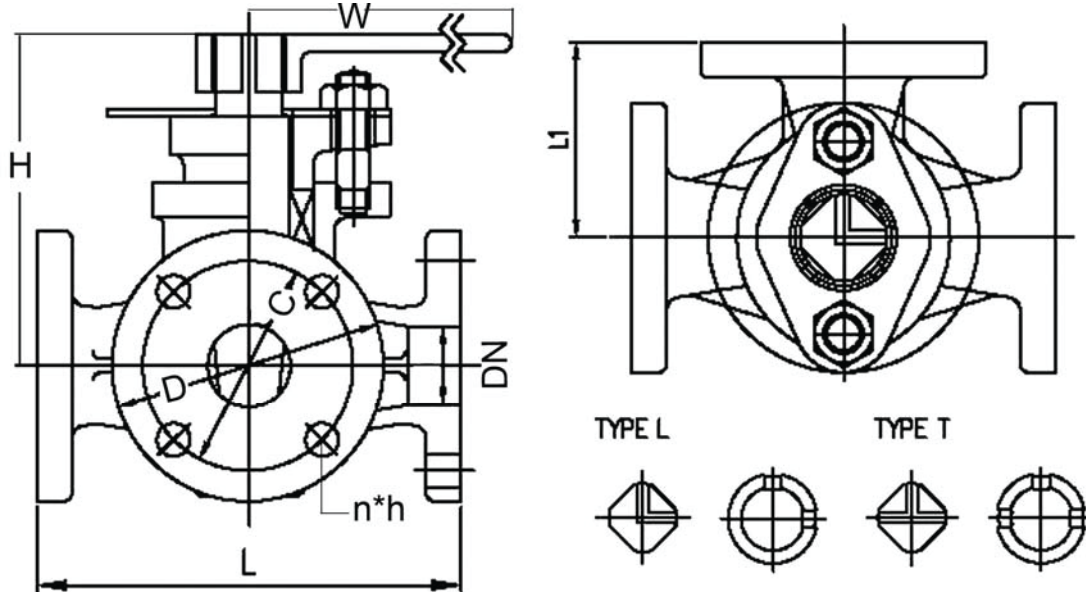




CAST BRONZE THREE WAY VALVE L PORT TYPE / T PORT TYPE FLANGE DRILLED AS2129 TABLE E



Pressure Test		MPa	
Nominal Pressure/PN	0.5MPa	Shell Test	1.03 MPa
		Seat Test	0.76 MPa

Main material for fittings			
Item	Fittings	Material	Mark
1	Body	Cast Bronze	BC6
2	Bonnet	Forged Brass	C3771BD
3	Plug	Cast Bronze	BC6
4	Seat	Cast Bronze	BC6
5	Stem	Forged Brass	C3771BD
6	Lever	Steel	SS400

Main data for flange connection							mm		
Model	Face/Face		Flange Diam. D	Flange PCD C	Flange Hole n* ϕ h	Height H	Width W	Weight/Kgs	
	L	L1						L Type	T Type
DN25	130	65	115	83	4 \times ϕ 14	105	140	3.9	3.2
DN32	160	80	120	87	4 \times ϕ 14	125	160	5.3	5.2
DN40	170	85	135	98	4 \times ϕ 14	135	180	7.6	7.5
DN50	190	95	150	114	4 \times ϕ 14	163	230	11.2	11.1
DN65	220	110	165	127	4 \times ϕ 18	201	250	16.2	16

Design	Check	Signature	Logo	Supplier
asbsey	Chrit	Figor		PROMET VALVES AUSTRALIA
JAN.01,2013	JAN.01,2013	JAN.01,2013		