

Z4BF

BRONZE CHECK VALVE

Swing Type - Screwed Cover - Bronze Trim

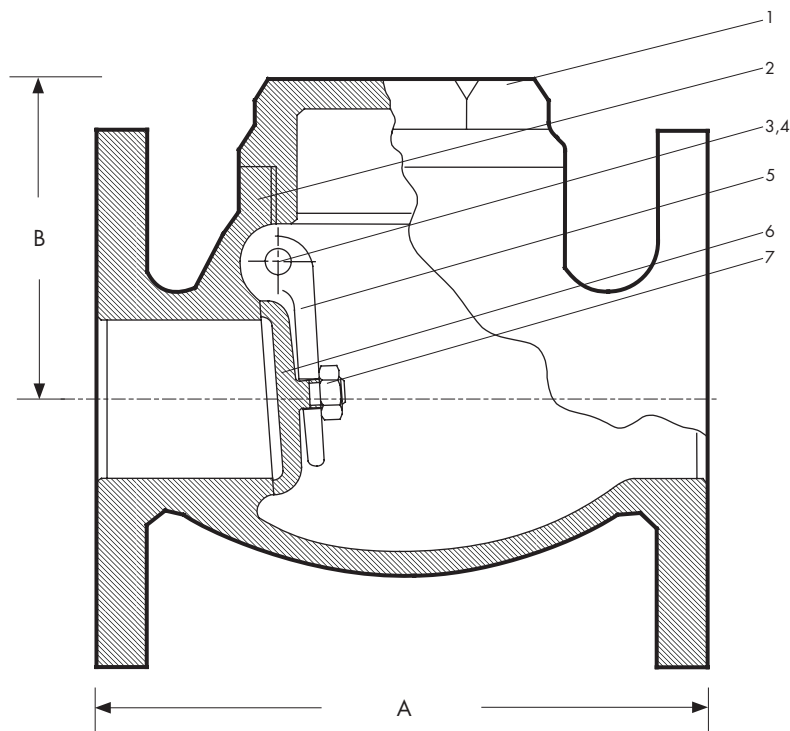
An AS 2129 E flanged cast bronze swing check valve with bronze trim and integral seat.

PRESSURE/TEMPERATURE RATING

Steam up to 700KPA (100PSI)
 Max Service Temp 170°C (338°F)
 Water, Oil or Gas up to 1400KPA (200PSI)

OPTIONS

Modifications available upon request.



DIMENSIONS - mm						MATERIAL SPECIFICATIONS			
Size	40	50	65	80	100	REF	Component	Material	AS or BS Specification
A	140	165	190	216	254	1	Cover	Cast Bronze LG2	AS 1565-C83600
B	76	90	114	124	145	2	Body	Cast Bronze LG2	AS 1565-C83600
Mass kg	4	6.3	8.5	12.5	19	3	Plug	DR. Brass	AS 1567-352
						4	Hinge Pin	DR. Brass	AS 1567-352
						5	Hinge	Cast Bronze LG2	AS 1565-C83600
						6	Flap	Cast Bronze LG2	AS 1565-C83600
						7	Lock Nut	Stainless Steel	316 S/S

Dimensions for larger sizes are available on request.