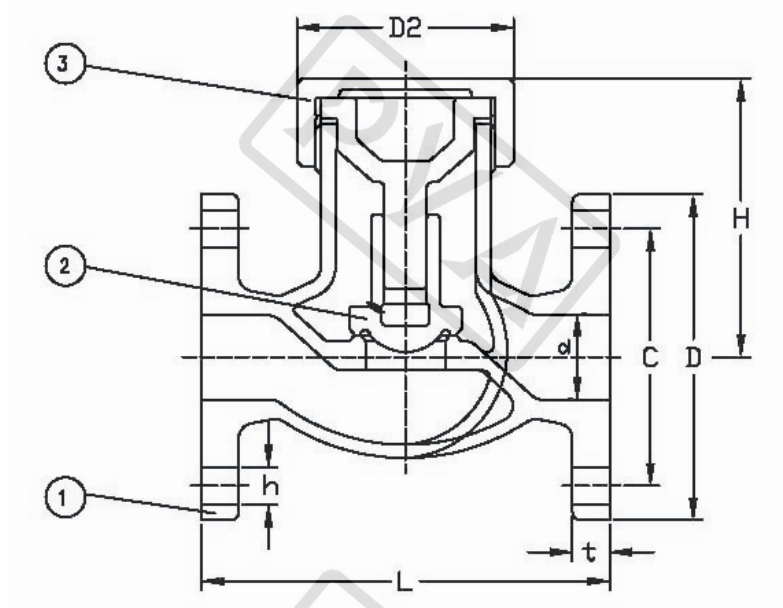


# JISF7417 16K CAST BRONZE LIFT CHECK GLOBE VALVE UNION BONNET TYPE



Pressure Test MPa			
Nominal Pressure/PN	1.6MPa	Shell Test	2.4MPa
		Seat Test	1.8MPa

Main material for fittings			
Item	Fittings	Material	Mark
1	Body	Cast Bronze	BC6
2	Bonnet	Cast Bronze	BC6
3	Disc	Cast Bronze	BC6
4	Seat	Cast Bronze	BC6

Main data for flange connection						mm
Model	Face To Face	Flange Diam.	Flange PCD	Flange Hole	Height	Weight
	L	D	C	n* $\phi$ d	H	kgs
F7417 16K15	110	95	70	4 $\times$ $\phi$ 15	66	1.62
F7417 16K20	120	100	75	4 $\times$ $\phi$ 15	71	2.17
F7417 16K25	130	125	90	4 $\times$ $\phi$ 19	81	2.80
F7417 16K32	160	135	100	4 $\times$ $\phi$ 15	83	3.92
F7417 16K40	180	140	105	4 $\times$ $\phi$ 19	91	5.49

Design	Check	Signature	Logo	Supplier
asbsey	Chrit	Figor		<b>PROMET VALVES AUSTRALIA</b>
JAN.01,2013	JAN.01,2013	JAN.01,2013		

**PROMET VALVES AUSTRALIA**

1A Green Road Woodville West SA 5011 Australia / Tel:+61 8 8268 1777 / Fax:+61 8 8268 1711  
 promet@prometvalves.com / www.prometvalves.com / ABN 47 096 425 697