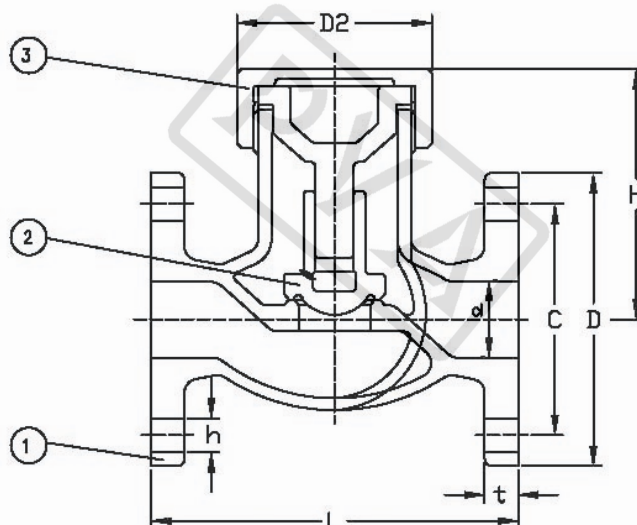


JISF7415 5K CAST BRONZE LIFT CHECK GLOBE VALVE UNION BONNET TYPE



Pressure Test MPa			
Nominal Pressure/PN	0.5MPa	Shell Test	0.76MPa
		Seat Test	1.05MPa

Main material for fittings			
Item	Fittings	Material	Mark
1	Body	Cast Bronze	BC6
2	Bonnet	Cast Bronze	BC6
3	Disc	Cast Bronze	BC6
4	Seat	Cast Bronze	BC6

Main data for flange connection						mm
Model	Face To Face	Flange Diam.	Flange PCD	Flange Hole	Height	Weight
	L	D	C	n* \varnothing d	H	kgs
F7415 5K15	100	80	60	4 \times \varnothing 12	66	1.62
F7415 5K20	110	85	65	4 \times \varnothing 12	71	2.17
F7415 5K25	120	95	75	4 \times \varnothing 12	81	2.80
F7415 5K32	140	115	90	4 \times \varnothing 15	83	3.92
F7415 5K40	160	120	95	4 \times \varnothing 15	91	5.49

Design	Check	Signature	Logo	Supplier
asbsey	Chrit	Figor		PROMET VALVES AUSTRALIA
JAN.01,2013	JAN.01,2013	JAN.01,2013		

PROMET VALVES AUSTRALIA

1A Green Road Woodville West SA 5011 Australia / Tel:+61 8 8268 1777 / Fax:+61 8 8268 1711
 promet@prometvalves.com / www.prometvalves.com / ABN 47 096 425 697