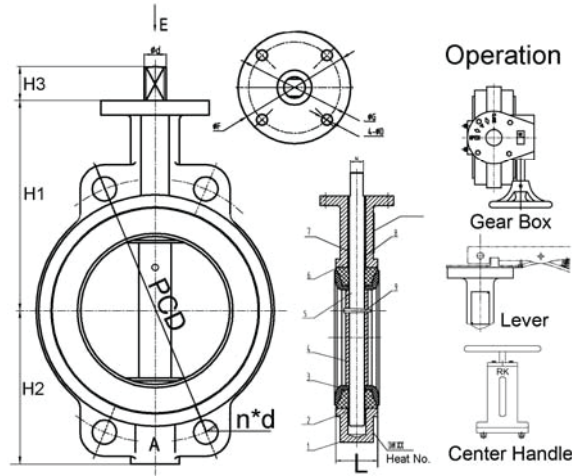




JISF7480 5K WAFER TYPE BUTTERFLY VALVE



| Pressure data: | |
|------------------|----------|
| Nominal Pressure | 0.5 MPa |
| Shell Test | 1.04 MPa |
| Seat Test | 0.76 MPa |

| Main material for fittings | | | |
|----------------------------|----------|---------------------------------------|------------------------|
| Item | Fittings | Material | Mark |
| 1 | Body | Cast Iron / Ductile Iron / Cast Steel | FC200/FCD450/SC230~450 |
| 2 | Disc | Stainless Steel/ Cast Ductile Iron | SS304/ FCD450 |
| 3 | Seat | NBR | |
| 4 | Stem | Stainless Steel | SS416 |

| Main data for connection | | | | | |
|--------------------------|-----|--------------|------------|---------------------|----------------|
| Model | DN | Face To Face | Flange PCD | Hole Number & Diam. | Operation |
| | mm | L | PCD | n*d | |
| F7480 5K | 40 | 33 | 95 | 4*15 | Lever/Gear box |
| F7480 5K | 50 | 43 | 105 | 4*15 | Lever/Gear box |
| F7480 5K | 65 | 46 | 130 | 4*15 | Lever/Gear box |
| F7480 5K | 80 | 46 | 145 | 4*19 | Lever/Gear box |
| F7480 5K | 100 | 52 | 165 | 4(8)*19 | Lever/Gear box |
| F7480 5K | 125 | 56 | 200 | 4(8)*19 | Lever/Gear box |
| F7480 5K | 150 | 56 | 230 | 4(8)*19 | Lever/Gear box |
| F7480 5K | 200 | 60 | 280 | 4(8)*23 | Lever/Gear box |
| F7480 5K | 250 | 68 | 345 | 4(12)*23 | Gear box |
| F7480 5K | 300 | 78 | 390 | 4(12)*23 | Gear box |
| F7480 5K | 350 | 78 | 435 | 4(12)*25 | Gear box |
| F7480 5K | 400 | 102 | 495 | 4(16)*25 | Gear box |
| F7480 5K | 450 | 114 | 555 | 4(16)*25 | Gear box |
| F7480 5K | 500 | 127 | 605 | 4(20)*25 | Gear box |
| F7480 5K | 600 | 154 | 715 | 4(20)*27 | Gear box |

| Design | Check | Signature | Logo | Supplier |
|-------------|-------------|-------------|------|-------------------------|
| asbsey | Chrit | Figor | | PROMET VALVES AUSTRALIA |
| JAN.01,2013 | JAN.01,2013 | JAN.01,2013 | | |