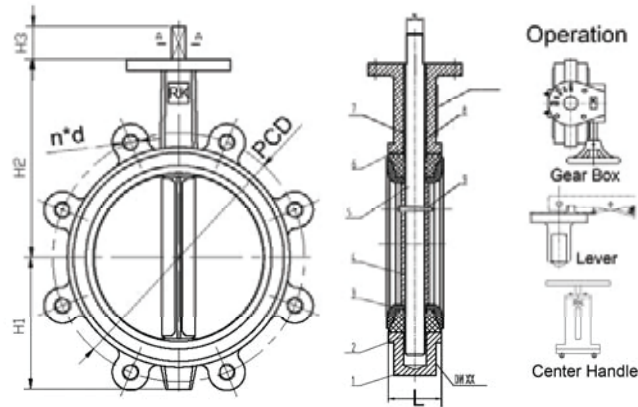




## JISF7480 5K LUG TYPE BUTTERFLY VALVE



Pressure data:	
Nominal Pressure	0.5 MPa
Shell Test	1.04 MPa
Seat Test	0.76 MPa

Main material for fittings			
Item	Fittings	Material	Mark
1	Body	Cast Iron / Ductile Iron / Cast Steel	FC200/FCD450/SC230~450
2	Disc	Stainless Steel/ Cast Ductile Iron	SS304/ FCD450
3	Seat	NBR	
4	Stem	Stainless Steel	SS416

Main data for connection						
Model	DN	Face To Face	Flange PCD	Hole Nos & Diam.	Hole Thread	Operation
	mm	L	PCD	n*d	M	-
F7480 5K	40	33	95	4*15	M16	Lever/Gear box
F7480 5K	50	43	105	4*15	M16	Lever/Gear box
F7480 5K	65	46	130	4*15	M16	Lever/Gear box
F7480 5K	80	46	145	4*19	M16	Lever/Gear box
F7480 5K	100	52	165	8*19	M16	Lever/Gear box
F7480 5K	125	56	200	8*19	M16	Lever/Gear box
F7480 5K	150	56	230	8*19	M20	Lever/Gear box
F7480 5K	200	60	280	8*23	M20	Lever/Gear box
F7480 5K	250	68	345	12*23	M24	Gear box
F7480 5K	300	78	390	12*23	M25	Gear box
F7480 5K	350	78	435	12*25	M26	Gear box
F7480 5K	400	102	495	16*25	M28	Gear box
F7480 5K	450	114	555	16*25	M28	Gear box
F7480 5K	500	127	605	20*25	M31	Gear box
F7480 5K	600	154	715	20*27	M34	Gear box

Design	Check	Signature	Logo	Supplier
asbsey	Chrit	Figor		PROMET VALVES AUSTRALIA
JAN.01,2013	JAN.01,2013	JAN.01,2013		