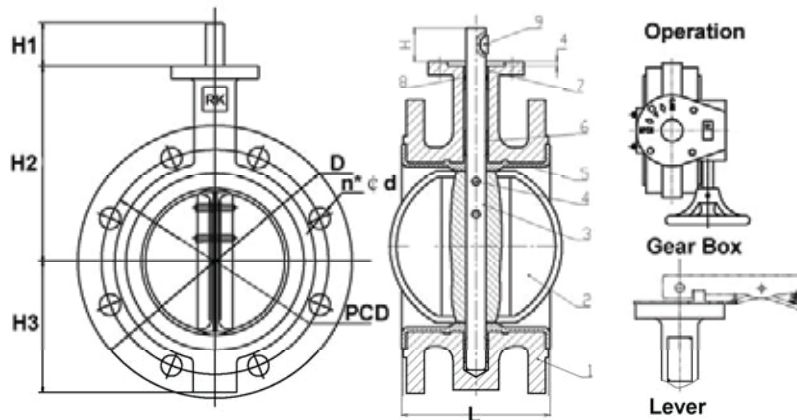




JISF7480 5K FLANGED TYPE BUTTERFLY VALVE



Pressure data:	
Nominal Pressure	0.5 MPa
Shell Test	1.04 MPa
Seat Test	0.76 MPa

Main material for fittings			
Item	Fittings	Material	Mark
1	Body	Cast Iron / Ductile Iron / Cast Steel	FC200/FCD450/SC230~450
2	Disc	Stainless Steel/ Cast Ductile Iron	SS304/ FCD450
3	Seat	NBR	
4	Stem	Stainless Steel	SS416

Main data for connection						mm
Model	DN	Face To Face	Flange Diam.	Flange PCD	Hole Nos & Diam.	Operation
	mm	L	D	PCD	n*d	-
F7480 5K	40	106	120	95	4* \varnothing 15	Lever/Gear box
F7480 5K	50	108	130	105	4* \varnothing 15	Lever/Gear box
F7480 5K	65	112	155	130	4* \varnothing 15	Lever/Gear box
F7480 5K	80	114	180	145	4* \varnothing 19	Lever/Gear box
F7480 5K	100	127	200	165	8* \varnothing 19	Lever/Gear box
F7480 5K	125	140	235	200	8* \varnothing 19	Lever/Gear box
F7480 5K	150	140	265	230	8* \varnothing 19	Lever/Gear box
F7480 5K	200	152	320	280	8* \varnothing 23	Lever/Gear box
F7480 5K	250	165	385	345	12* \varnothing 23	Gear box
F7480 5K	300	178	430	390	12* \varnothing 23	Gear box
F7480 5K	350	190	480	435	12* \varnothing 25	Gear box
F7480 5K	400	216	540	495	16* \varnothing 25	Gear box
F7480 5K	450	222	605	555	16* \varnothing 25	Gear box
F7480 5K	500	229	655	605	20* \varnothing 25	Gear box
F7480 5K	600	267	770	715	20* \varnothing 27	Gear box

Design	Check	Signature	Logo	Supplier
asbsey	Chrit	Figor		PROMET VALVES AUSTRALIA
JAN.01,2013	JAN.01,2013	JAN.01,2013		