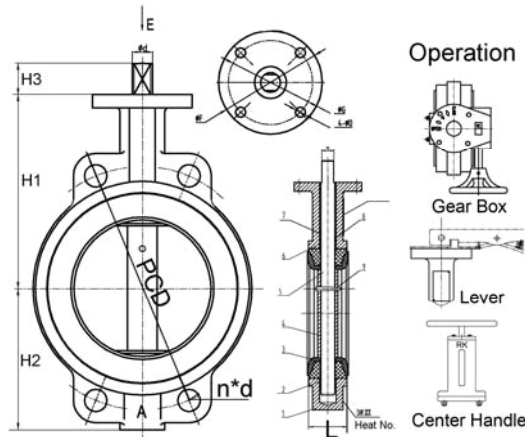




JISF7480 10K WAFER TYPE BUTTERFLY VALVE



Pressure data:	
Nominal Pressure	1.0 MPa
Shell Test	2.1 MPa
Seat Test	1.54 MPa

Main material for fittings			
Item	Fittings	Material	Mark
1	Body	Cast Iron / Ductile Iron / Cast Steel	FC200/FCD450/SC230~450
2	Disc	Stainless Steel/ Cast Ductile Iron	SS304/ FCD450
3	Seat	NBR	
4	Stem	Stainless Steel	SS416

Main data for connection					
Model	DN	Face To Face	Flange PCD	Hole Number & Diam.	Operation
	mm	L	PCD	n*d	
F7480 10K	40	33	105	4×Φ19	Lever/Gear box
F7480 10K	50	43	120	4×Φ19	Lever/Gear box
F7480 10K	65	46	140	4×Φ19	Lever/Gear box
F7480 10K	80	46	150	4(8)×Φ19	Lever/Gear box
F7480 10K	100	52	175	4(8)×Φ19	Lever/Gear box
F7480 10K	125	56	210	4(8)×Φ23	Lever/Gear box
F7480 10K	150	56	240	4(8)×Φ23	Lever/Gear box
F7480 10K	200	60	290	4(12)×Φ23	Lever/Gear box
F7480 10K	250	68	355	4(12)×Φ25	Gear box
F7480 10K	300	78	400	4(16)×Φ25	Gear box
F7480 10K	350	78	445	4(16)×Φ25	Gear box
F7480 10K	400	102	510	4(16)×Φ27	Gear box
F7480 10K	450	114	565	4(20)×Φ27	Gear box
F7480 10K	500	127	620	4(20)×Φ27	Gear box
F7480 10K	600	154	730	4(24)×Φ33	Gear box

Design	Check	Signature	Logo	Supplier
asbsey	Chrit	Figor		PROMET VALVES AUSTRALIA
JAN.01,2013	JAN.01,2013	JAN.01,2013		