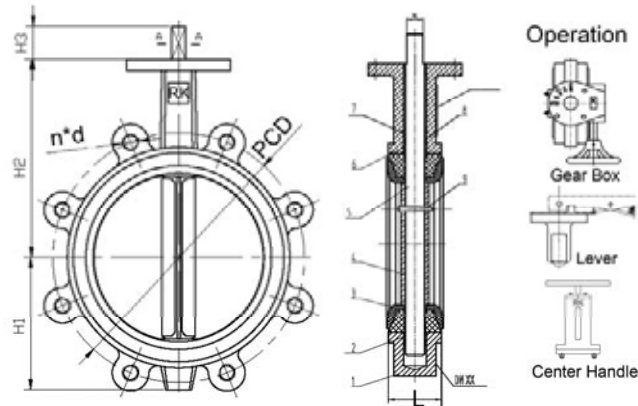




JISF7480 10K LUG TYPE BUTTERFLY VALVE



Pressure data:	
Nominal Pressure	1.0 MPa
Shell Test	2.1 MPa
Seat Test	1.54 MPa

Main material for fittings			
Item	Fittings	Material	Mark
1	Body	Cast Iron / Ductile Iron / Cast Steel	FC200/FCD450/SC230~450
2	Disc	Stainless Steel/ Cast Ductile Iron	SS304/ FCD450
3	Seat	NBR	
4	Stem	Stainless Steel	SS416

Main data for connection						mm
Model	DN	Face To Face	Flange PCD	Hole Nos& Diam.	Hole Thread	Operation
	mm	L	PCD	n*d	M	-
F7480 10K	40	33	105	4×Φ19	M16	Lever/Gear box
F7480 10K	50	43	120	4×Φ19	M16	Lever/Gear box
F7480 10K	65	46	140	4×Φ19	M16	Lever/Gear box
F7480 10K	80	46	150	8×Φ19	M16	Lever/Gear box
F7480 10K	100	52	175	8×Φ19	M16	Lever/Gear box
F7480 10K	125	56	210	8×Φ23	M16	Lever/Gear box
F7480 10K	150	56	240	8×Φ23	M20	Lever/Gear box
F7480 10K	200	60	290	12×Φ23	M20	Lever/Gear box
F7480 10K	250	68	355	12×Φ25	M24	Gear box
F7480 10K	300	78	400	16×Φ25	M25	Gear box
F7480 10K	350	78	445	16×Φ25	M26	Gear box
F7480 10K	400	102	510	16×Φ27	M28	Gear box
F7480 10K	450	114	565	20×Φ27	M28	Gear box
F7480 10K	500	127	620	20×Φ27	M31	Gear box
F7480 10K	600	154	730	24×Φ33	M34	Gear box

Design	Check	Signature	Logo	Supplier
asbsey	Chrit	Figor		PROMET VALVES AUSTRALIA
JAN.01,2013	JAN.01,2013	JAN.01,2013		