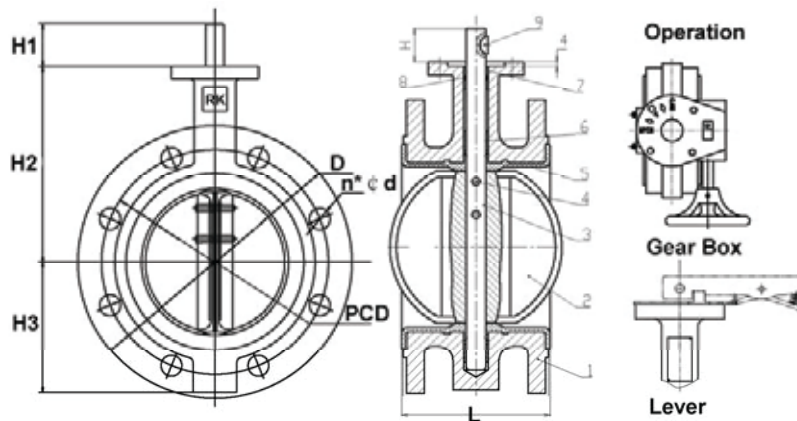




JISF7480 10K FLANGED TYPE BUTTERFLY VALVE



Pressure data:	
Nominal Pressure	1.0 MPa
Shell Test	2.1 MPa
Seat Test	1.54 MPa

Main material for fittings			
Item	Fittings	Material	Mark
1	Body	Cast Iron / Ductile Iron / Cast Steel	FC200/FCD450/SC230~450
2	Disc	Stainless Steel/ Cast Ductile Iron	SS304/ FCD450
3	Seat	NBR	
4	Stem	Stainless Steel	SS416

Main data for connection						mm
Model	DN	Face To Face	Flange Diam.	Flange PCD	Hole Nos & Diam.	Operation
	mm	L	D	PCD	n*d	-
F7480 10K	40	106	140	105	4×Φ19	Lever/Gear box
F7480 10K	50	108	155	120	4×Φ19	Lever/Gear box
F7480 10K	65	112	175	140	4×Φ19	Lever/Gear box
F7480 10K	80	114	185	150	8×Φ19	Lever/Gear box
F7480 10K	100	127	210	175	8×Φ19	Lever/Gear box
F7480 10K	125	140	250	210	8×Φ23	Lever/Gear box
F7480 10K	150	140	280	240	8×Φ23	Lever/Gear box
F7480 10K	200	152	330	290	12×Φ23	Lever/Gear box
F7480 10K	250	165	400	355	12×Φ25	Gear box
F7480 10K	300	178	445	400	16×Φ25	Gear box
F7480 10K	350	190	490	445	16×Φ25	Gear box
F7480 10K	400	216	560	510	16×Φ27	Gear box
F7480 10K	450	222	650	565	20×Φ27	Gear box
F7480 10K	500	229	675	620	20×Φ27	Gear box
F7480 10K	600	267	795	730	24×Φ33	Gear box

Design	Check	Signature	Logo	Supplier
asbsey	Chrit	Figor		PROMET VALVES AUSTRALIA
JAN.01,2013	JAN.01,2013	JAN.01,2013		