

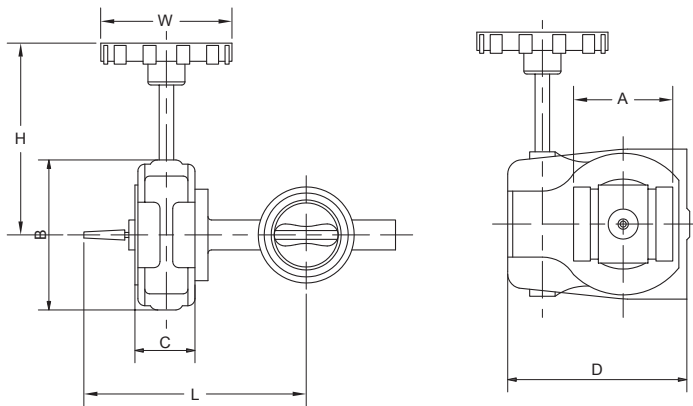
## Roll Groove Butterfly Valve (for indoor use)

Materials	
PART	MATERIAL
MATERIAL	Nylon 11 coated ductile iron
Disc	EPDM encapsulated ductile iron
Stem	Hardened / Tempered stainless steel

Specifications	
Working Pressure	1200kPa
Max. Working Temp	120°C
Factory installed UL approved tamper switch	

\* 50mm comes in Brass Body

Roll Groove Butterfly Valve									
CODE	IMPERIAL SIZE	L	H	A	B	C	D	W	APPR OX. KG/PC
GV50*	2	120	95	115	110	45	100	70	2.1
GV65	2 1/2	252	135	96	150	60	176	125	8.4
GV80	3	259	135	96	150	60	176	125	8.9
GV94	4	292	135	115	150	60	176	125	10.7
GV96	6	327	193	132	150	60	176	225	15.5
GV98	8	351	193	147	150	60	176	225	20.3



SWITCH WIRING DIAGRAM

