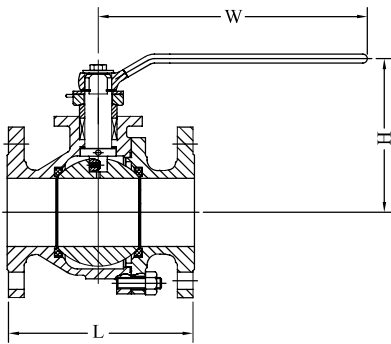


Stainless Steel 316 Flanged Ball Valve (Table E) (ISO5211)



Material List	
PART	MATERIAL
Body	CF8M
Cap	CF8M
Ball	CF8M
Stem	304 Stainless Steel
Seat	PTFE + 3% Glass Fibre
Seals	PTFE
Thrust Washer	PTFE
Stem Packing	PTFE
Spring Collar	304 Stainless Steel
Handle	CF8M

Specifications	
Flange T/E	AS2129
Max Working Temperature	180°C
Cold Working Pressure	1960kPa



Stainless Steel 316 Flanged Ball Valve (Table E)							
CODE	IMPERIAL SIZE	L	H	W	NO. HOLES	HOLE DIAMETER	APPROX. KG/PC
VBSSE50	2	178	127	200	4	18	7.3
VBSSE80	3	203	164	325	4	18	16
VBSSE94	4	229	178	325	8	18	25