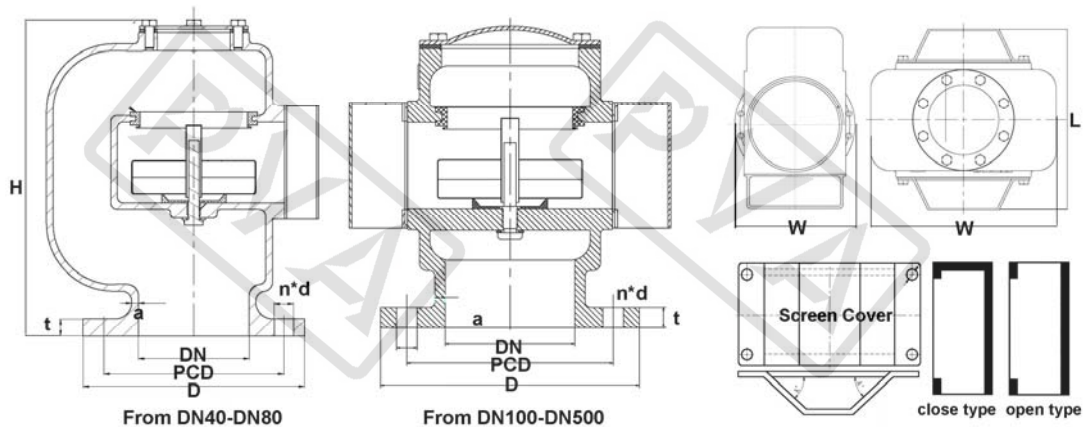


JIS5K AIR VENT HEAD

JIS-KS91A-121 TYPE (Disc Float Type)



Technology info	
Close type for oil tank	Open type for water and oil tank

Main material for fittings			
Item	Fittings	Material	Mark
1	Body	Cast Iron/Cast Ductile Iron	FC200/FCD450
2	Disc Float	Stainless Steel	SS304
3	Rubber Ring / Sealing	NBR	
4	Cover	Stainless Steel	SS400+Galvanize/SS304
5	Frame & Insect net	Stainless Steel	SS304
6	Screen cover	Stainless Steel	SS400+Galvanize/SS304
7	Guide bolt / Bolt / Nut / Cushion	Stainless Steel	SS304

Main dimension for construction							mm
DN	Flange Diam	Flange PCD	Flange Hole	Thickness	Length	Width	Height
mm	D	PCD	n* \varnothing d	t	L	W	H
50	130	105	4× \varnothing 15	14	140	190	190
65	155	130	4× \varnothing 15	14	150	210	230
80	180	145	4× \varnothing 19	14	170	240	270
100	200	165	8× \varnothing 19	16	260	240	230
125	235	200	8× \varnothing 19	16	290	280	270
150	265	230	8× \varnothing 19	18	330	320	330
200	320	280	8× \varnothing 23	20	450	400	410
250	385	345	12× \varnothing 23	22	480	550	500
300	430	390	12× \varnothing 23	22	560	620	560
350	480	435	12× \varnothing 23	24	680	730	610
400	540	495	16× \varnothing 25	24	740	760	690
450	605	555	16× \varnothing 25	24	820	840	780
500	655	605	20× \varnothing 25	24	904	917	800

Design	Check	Signature	Logo	Supplier
asbsey	Chrit	Figor		PROMET VALVES AUSTRALIA
JAN.01,2013	JAN.01,2013	JAN.01,2013		

PROMET VALVES AUSTRALIA

1A Green Road Woodville West SA 5011 Australia / Tel:+61 8 8268 1777 / Fax:+61 8 8268 1711
 promet@prometvalves.com / www.prometvalves.com / ABN 47 096 425 697